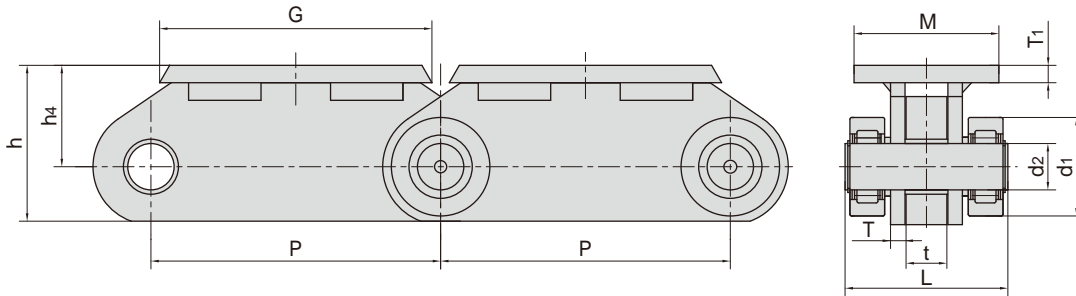
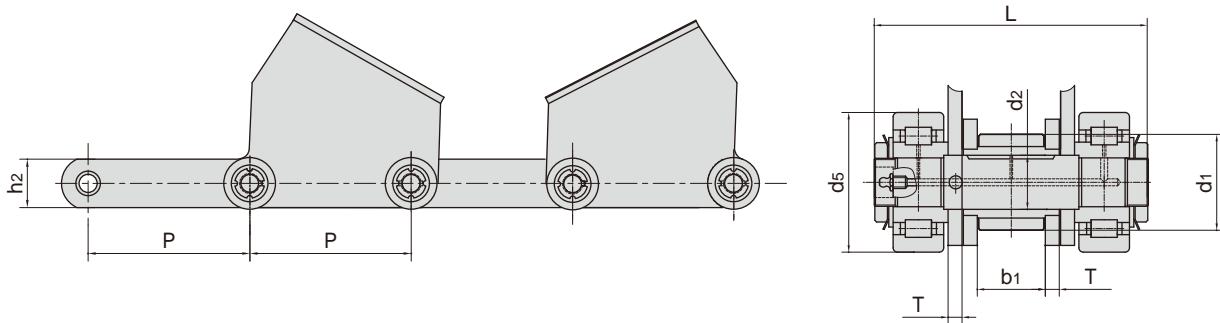


## 钢厂用输送链 Conveyor chains for steel mill

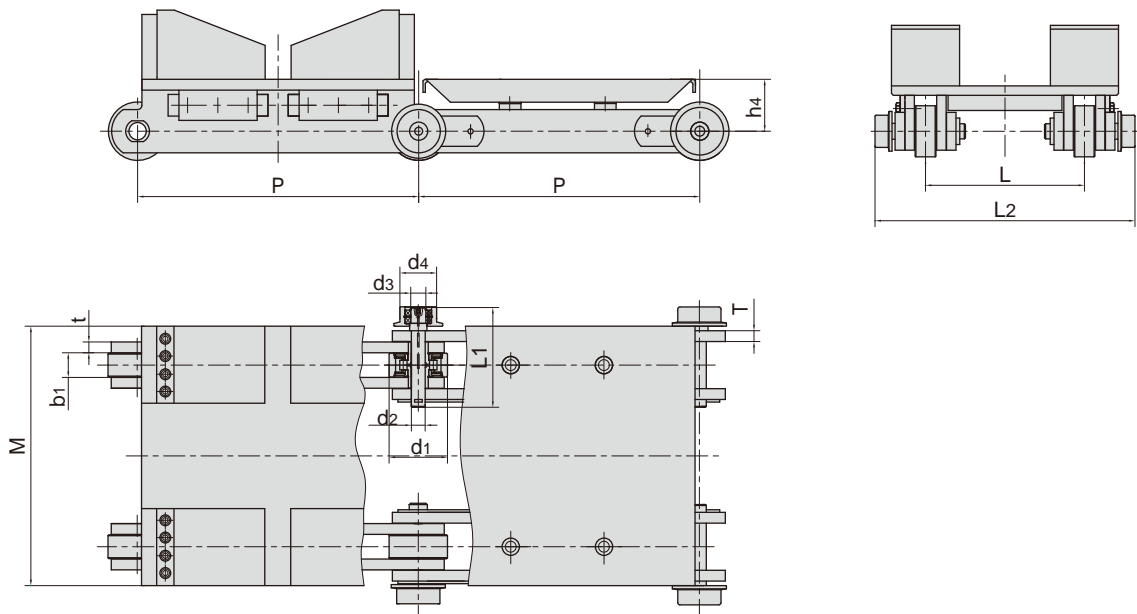


东华链号 Donghua Chain No.	节距	滚子直径	销轴直径	销轴长度	链板厚度	附件尺寸					抗拉强度
	Pitch	Roller diameter	Pin diameter	Pin length	Plate thickness	Attachment dimensions					Tensile strength
	P	d1 max	d2 max	L max	t/T max	G	M	h4	h	T1	Q min
	mm	mm	mm	mm	mm	mm	mm	mm	mm	mm	kN/lbf
P500	500.0	170.0	80.0	281.0	50.0/25.0	470.0	250.0	175.0	269.0	30.0	1900/427419
P500F23	500.0	170.0	80.0	261.0	60.0/20.0	470.0	250.0	155.0	240.0	30.0	1600/359680



东华链号 Donghua Chain No.	节距	滚子直径		内节内宽	销轴直径	销轴长度	链板厚度	链板高度	抗拉强度
	Pitch	Roller diameter		Width between inner plates	Pin diameter	Pin length	Plate thickness	Plate depth	Tensile strength
	P	d1 max	d5 max	b1 min	d2 max	L max	T max	h2	Q min
	mm	mm	mm	mm	mm	mm	mm	mm	kN/lbf
P250F168	250.0	107.0	160.0	78.0	62.0	330.0	16.0	150.0	1000/224800
P500F1	500.0	107.0	160.0	78.0	62.0	325.0	20.0	150.0	800/179966
P500F2	500.0	107.0	160.0	76.0	62.0	310.0	16.0	150.0	700/157470
P500F18	500.0	107.0	160.0	78.0	62.0	310.0	16.0	150.0	1000/224800

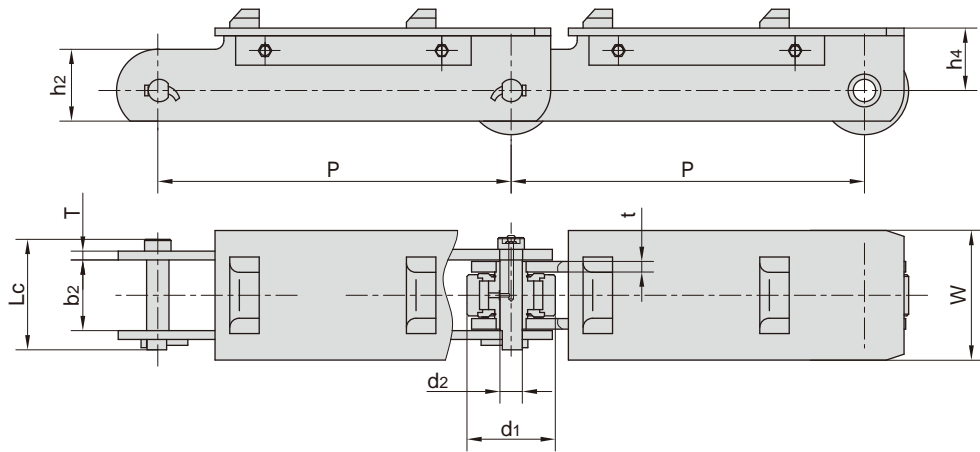
## 钢厂用输送链 Conveyor chains for steel mill



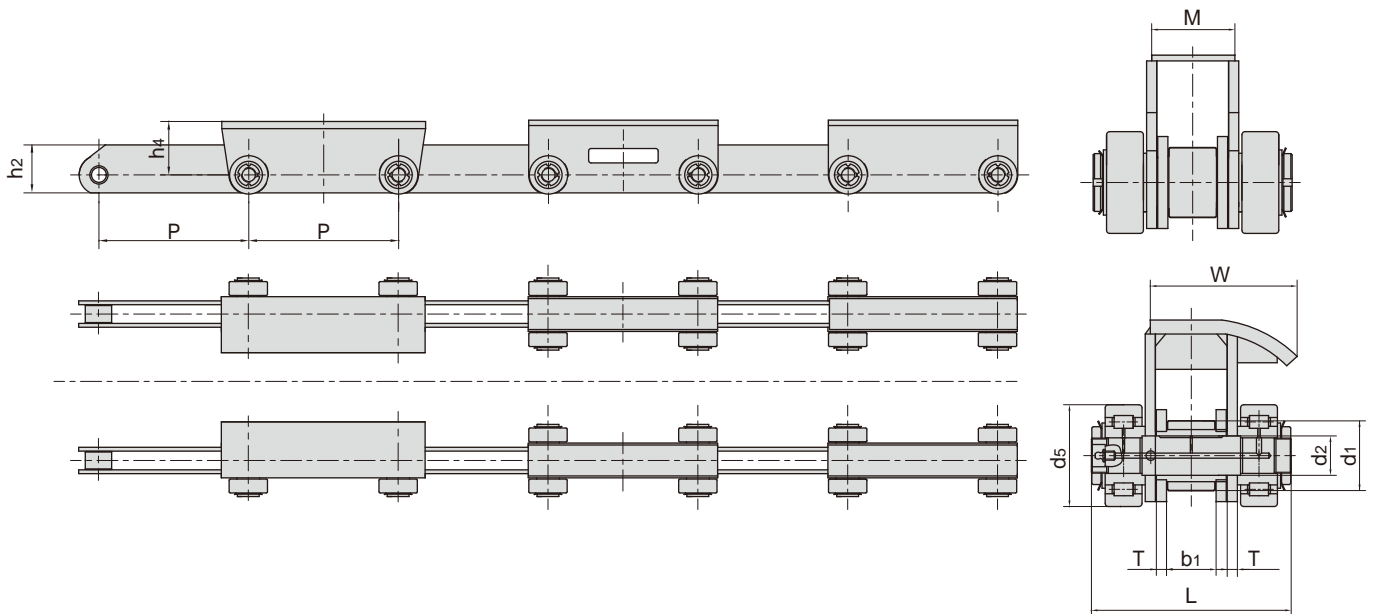
东华链号 Donghua Chain No.	节距	滚子直径		内节内宽	销轴直径			销轴长度	链板厚度	附板尺寸				抗拉强度	每米长重
	Pitch	Roller diameter		Width between inner plates	Pin diameter			Pin length	Plate thickness	Attachment dimension				Tensile strength	Weight per meter
	P	d1 max	d4 max	b1 min	d2 max	d3 max	L1 max	t/T max	L	L2	M	h4	Q min	q	
	mm	mm	mm	mm	mm	mm	mm	mm	mm	mm	mm	mm	kN/lbf	kg/m	
P650	650.0	135.0	85.0	56.0	32.0	35.0	232.0	25.0	420.0	690.0	600.0	120.0	750/168718	214.5	
P750	750.0	200.0	85.0	82.0	55.0	35.0	276.0	30.0/25.0	380.0	690.0	600.0	162.5	2050/460858	-	



## 钢厂用输送链 Conveyor chains for steel mill



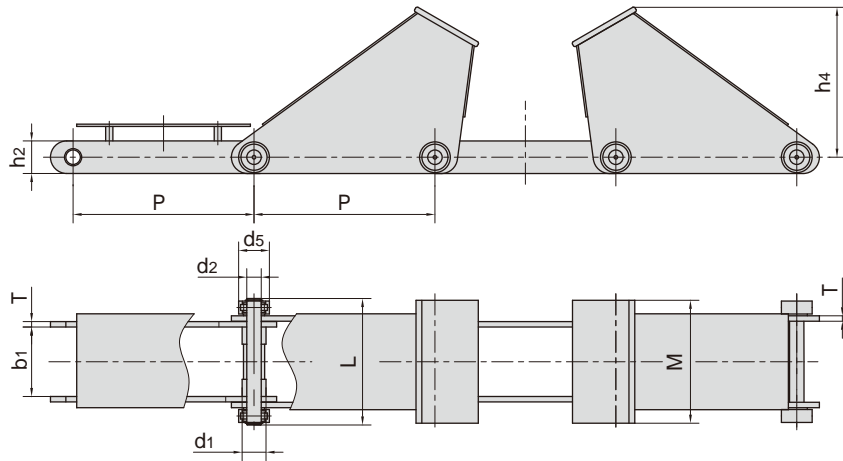
东华链号 Donghua Chain No.	节距	滚子直径	外节内宽	销轴直径	销轴长度	链板高度	链板厚度	附板尺寸		平均抗拉强度
	Pitch	Roller diameter	Width between outer plates	Pin diameter	Pin length	Plate depth	Plate thickness	Attachment dimension		Average tensile strength
	P	d1 max	b2 min	d2 max	Lc max	h2	t/T max	h4	W	Q0
	mm	mm	mm	mm	mm	mm	mm	mm	mm	kN/lbf
P600F1	600.0	150.0	117.0	38.0	187.0	122.0	18/15	105.7	220.0	1470/330687



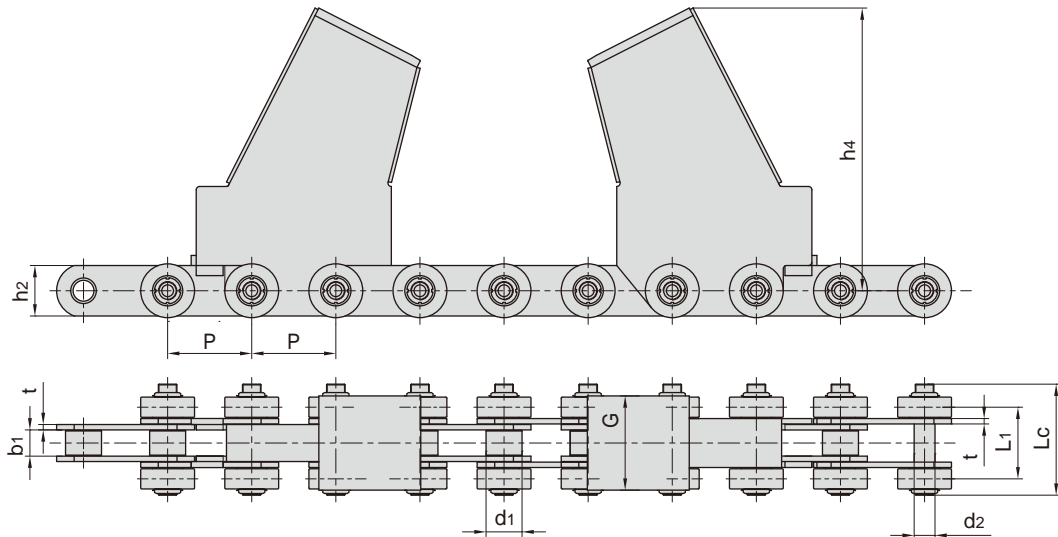
东华链号 Donghua Chain No.	节距	滚子直径		内节内宽	销轴直径	销轴长度	链板厚度	附板尺寸				抗拉强度
	Pitch	Roller diameter		Width between inner plates	Pin diameter	Pin length	Plate thickness	Attachment dimension				Tensile strength
	P	d1 max	d5 max	b1	d2 max	L max	T max	W	M	h2	h4	Q min
	mm	mm	mm	mm	mm	mm	mm	mm	mm	mm	mm	kN/lbf
P625	625.0	107.0	160.0	78.0	62.0	310.0	16.0	227.5	130.0	200.0	215.0	700/157470

# 钢厂用输送链

## Conveyor chains for steel mill

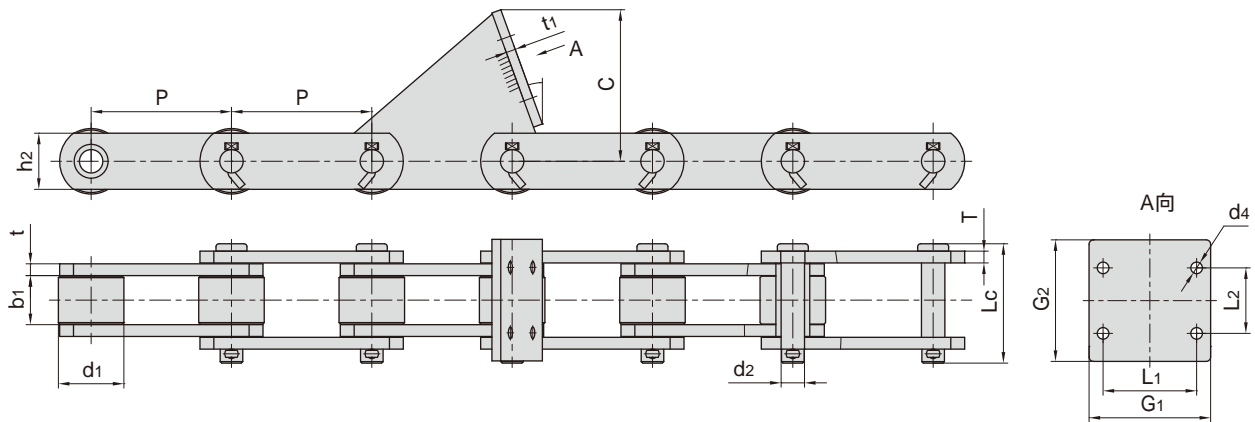


东华链号 Donghua Chain No.	节距 Pitch	滚子直径 Roller diameter		内节内宽 Width between inner plates	销轴直径 Pin diameter	链板高度 Plate depth	销轴长度 Pin length	链板厚度 Plate thickness	附板尺寸 Attachment dimension		抗拉强度 Tensile strength
	P	d1 max	d5 max	b1 min	d2 max	h2	L max	T max	h4	M	Q min
	mm	mm	mm	mm	mm	mm	mm	mm	mm	mm	kN/lbf
P1000	1000.0	110.0	170.0	384.0	80.0	180.0	678.0	30.0	832.0	680.0	1800/404923



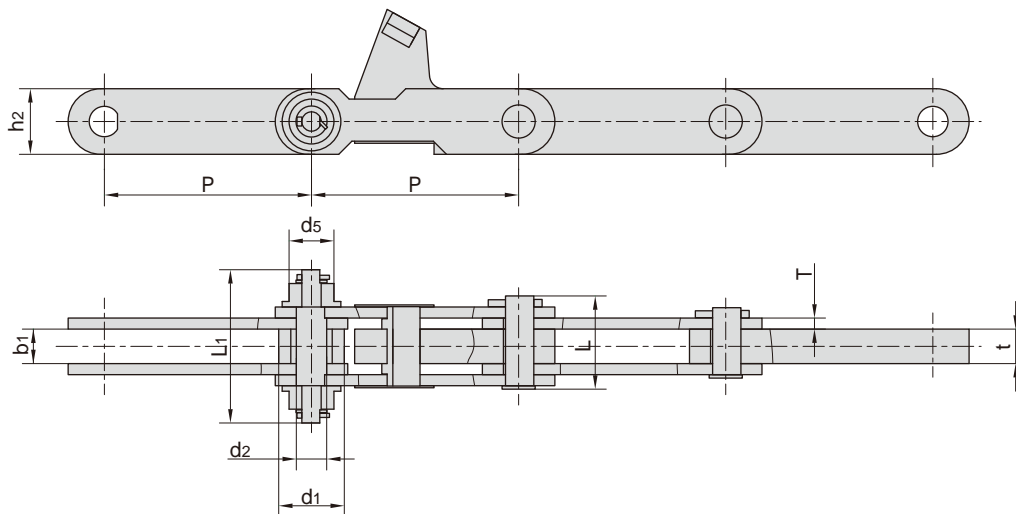
东华链号 Donghua Chain No.	节距 Pitch	滚子直径 Roller diameter	内节内宽 Width between inner plates	销轴直径 Pin diameter	销轴长度 Pin length	链板厚度 Plate thicknes	内链板高度 Inner Plate depth	附板尺寸 Attachment dimension			抗拉强度 Tensile strength	每米长重 Weight per meter
	P	d1 max	b1 min	d2 max	Lc max	t	h2 max	h4	L1	G	Q min	q
	mm	mm	mm	mm	mm	mm	mm	mm	mm	mm	kN/lbf	kg/m
P250F168	250.0	107.0	78.0	62.0	330.0	16.0	150.0	840.4	213.0	280.0	1000/224800	270.5

## 钢厂用输送链 Conveyor chains for steel mill



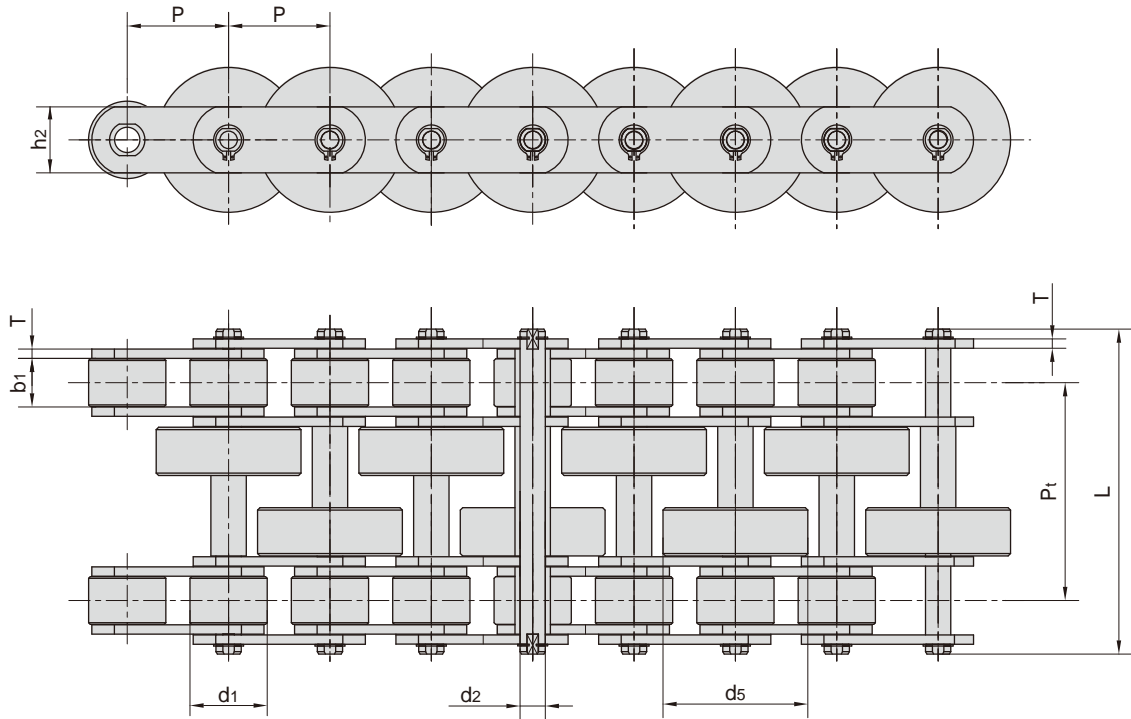
东华链号 Donghua Chain No.	节距 Pitch	滚子直径 Roller diameter	内节内宽 Width between inner plates	销轴直径 Pin diameter	销轴长度 Pin length	内链板高度 Inner Plate depth	链板厚度 Plate thicknes	抗拉强度 Tensile strength	每米长重 Weight per meter
	P	d1 max	b1 min	d2 max	Lc max	h2 max	t/T	Q min	q
	mm	mm	mm	mm	mm	mm	mm	kN/lbf	kg/m
P95.25F1	95.25	44.45	33.30	15.88	81.00	38.10	8.00	180.0/40464	13.63

东华链号 Donghua Chain No.	P	C	d4	t1	L1	G1	L2	G2	
	mm	mm	mm	mm	mm	mm	mm	mm	mm
P95.25F1	95.25	102.85	7.90	6.40	63.50	82.50	44.45	82.50	20 °



东华链号 Donghua Chain No.	节距 Pitch	滚子直径 Roller diameter		内节内宽 Width between inner plates	销轴直径 Pin diameter	销轴长度 Pin length		链板厚度 Plate thickness	抗拉强度 Tensile strength
	P	d1 max	d5 max	b1 min	d2 max	L max	L1 max	t/T max	Q min
	mm	mm	mm	mm	mm	mm	mm	mm	kN/lbf
P300F5	300.0	95.0	65.0	50.0	44.0	135.0	222.0	50.0/16.0	500.0/112478.0

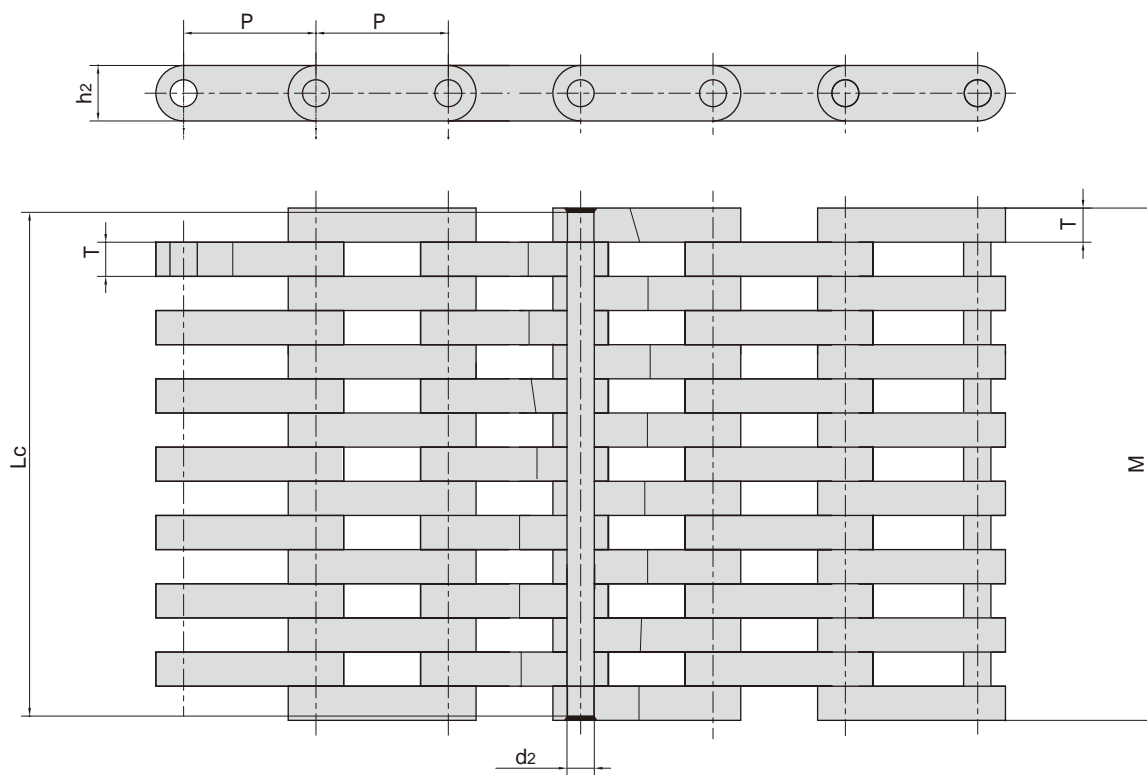
## 钢厂用输送链 Conveyor chains for steel mill



东华链号 Donghua Chain No.	节距	滚子直径		内节内宽	销轴直径	销轴长度	链板厚度	链板高度	排距	抗拉强度	每米长重
	Pitch	Roller diameter		Width between inner plates	Pin diameter	Pin length	Plate thickness	Plate depth	Transverse pitch	Tensile strength	Weight per meter
	P	d1 max	d5 max	b1 min	d2 max	L max	T max	h2 max	Pt	Q min	q
	mm	mm	mm	mm	mm	mm	mm	mm	mm	kN/lbf	kg/m
P45F8	45.0	36.0	69.0	18.0	12.00	128.0	4	30.0	108.0	160/35968	25.70
P63F4	63.0	48.0	90.0	30.0	15.88	202.0	6	41.0	135.0	200/44991	36.57
P100F316-2	100.0	60.0	140.0	39.0	22.00	256.0	8	50.0	160.0	450/101160	84.10



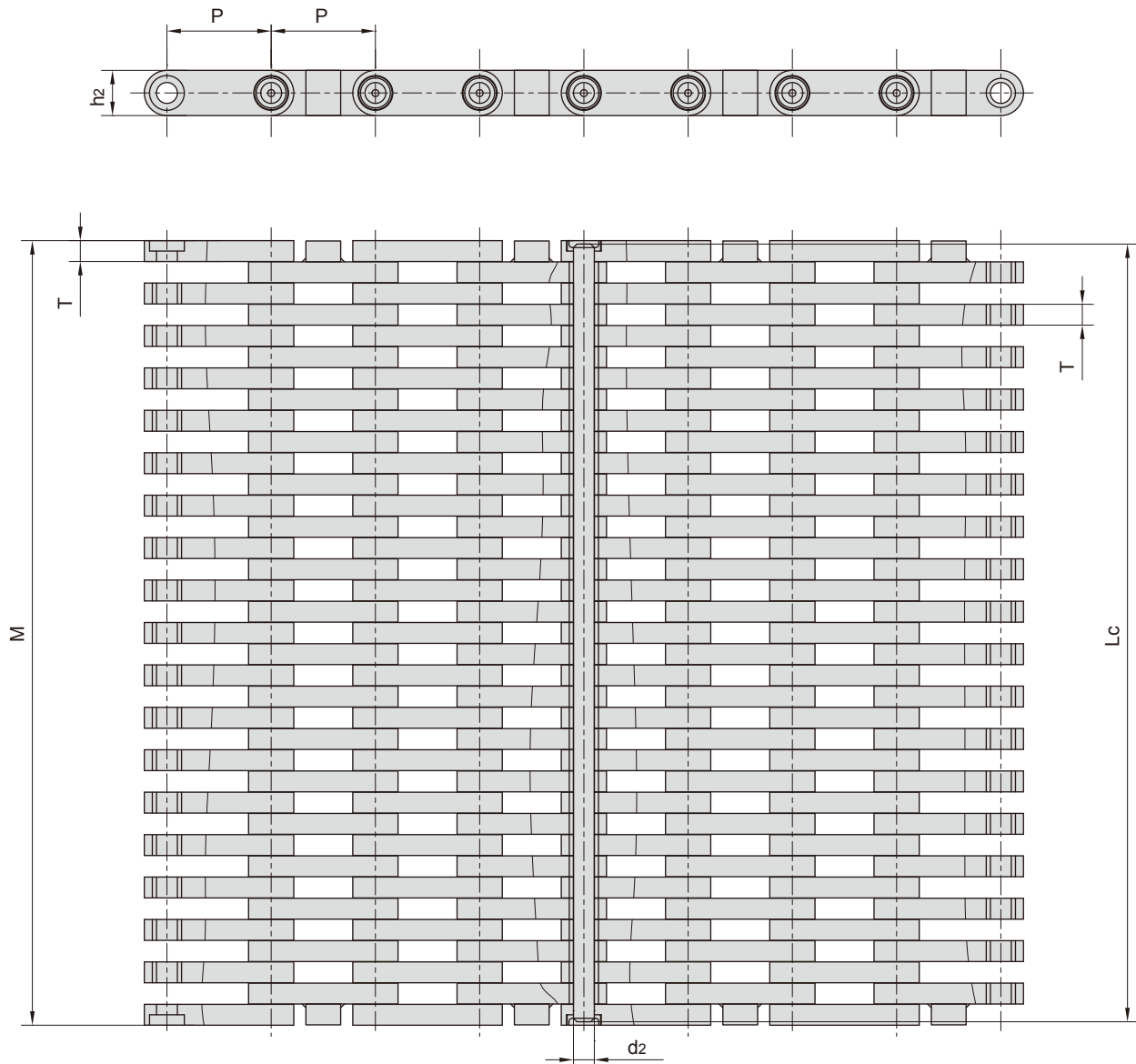
## 钢厂用输送链 Conveyor chains for steel mill



东华链号 Donghua Chain No.	节距 Pitch	链板组合 Plate lacing	销轴直径 Pin diameter	销轴长度 Pin length	链板厚度 Plate thickness	链板尺寸 Plate dimension		抗拉强度 Tensile strength	平均抗拉强度 Average tensile strength	每米长重 Weight per meter
	P		d2 max	Lc max	T max	h2	M	Q min	Q0	q
	mm		mm	mm	mm	mm	mm	kN/lbf	kN/lbf	kg/m
LF152F1	152.0	6x5	26.92	279.4	25.4	50.8	283.2	2000/449600	2200/494560	70.0
LF155	155.0	7x8	31.50	595.0	40.0	65.0	605.0	3200/719864	3520/791851	202.2



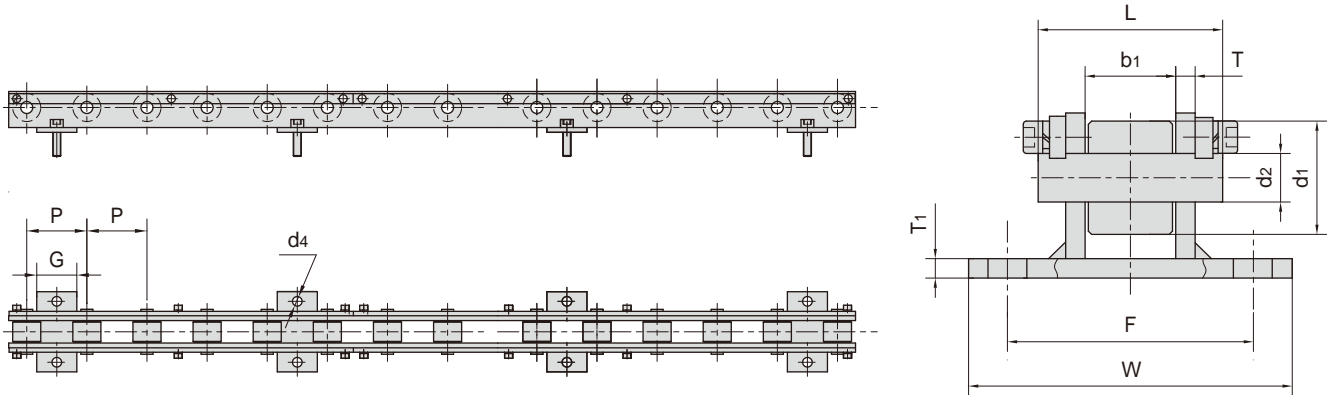
## 钢厂用输送链 Conveyor chains for steel mill



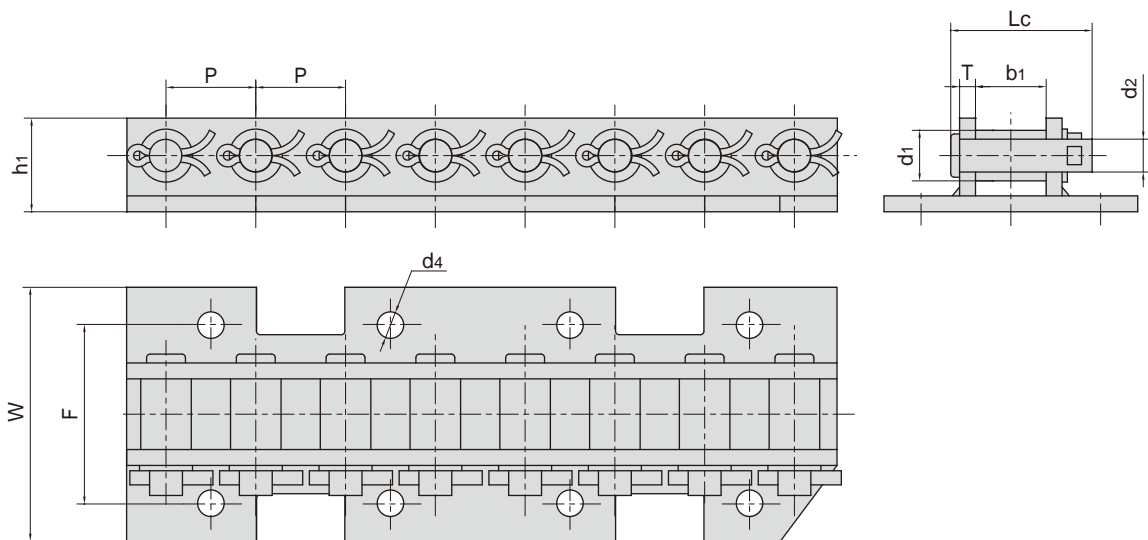
东华链号 Donghua Chain No.	节距	链板组合 Plate lacing	销轴直径	销轴长度	链板厚度 Plate thickness	链板尺寸 Plate dimension		抗拉强度	平均抗拉强度	每米长重 Weight per meter
	P		d <sub>2</sub> max	L <sub>c</sub> max		T max	h <sub>2</sub>	M	Q min	
	mm	mm	mm	mm	mm	mm	kN/lbf	kN	kg/m	
LF150F1	150.0	18 x 19	30.0	1117.0	30.0	65.0	1119.0	5200/1169000	5700.0	365.0



## 钢厂用输送链 Conveyor chains for steel mill

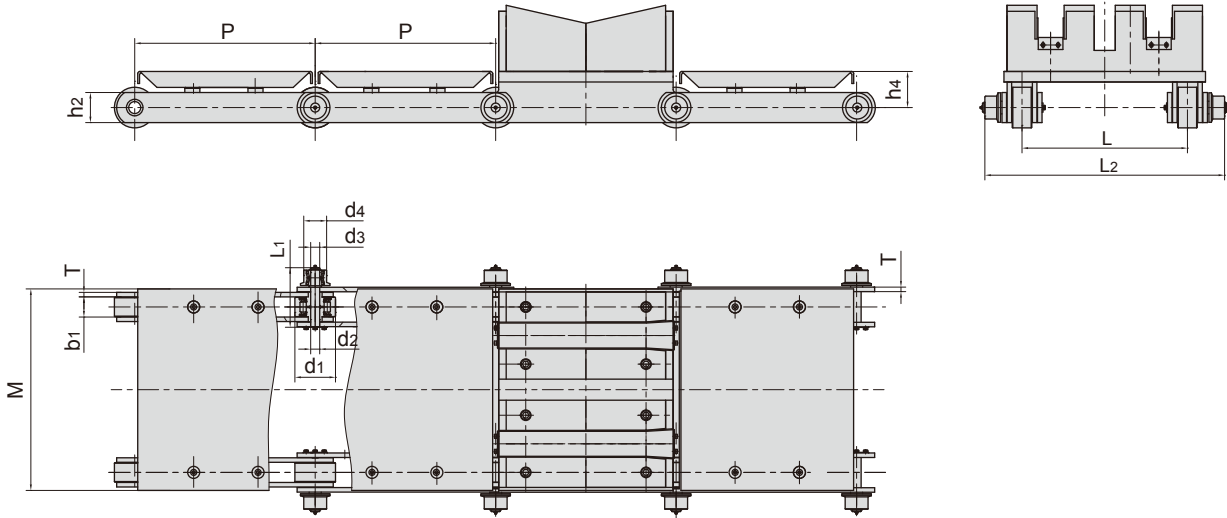


东华链号 Donghua Chain No.	节距 Pitch	滚子直径 Roller diameter	内节内宽 Width between inner plates	销轴直径 Pin diameter	销轴长度 Pin length	链板厚度 Plate thickness	附板尺寸 Attachment dimension					每米长重 Weight per meter
	P	d1 max	b1	d2 max	L max	T max	T1	W	F	d4	G	q
	mm	mm	mm	mm	mm	mm	mm	mm	mm	mm	mm	kg/m
P75F9	75.0	35.0	28.0	15.0	56.0	6.0	6.0	100.0	76.0	12.0	50.0	22.3

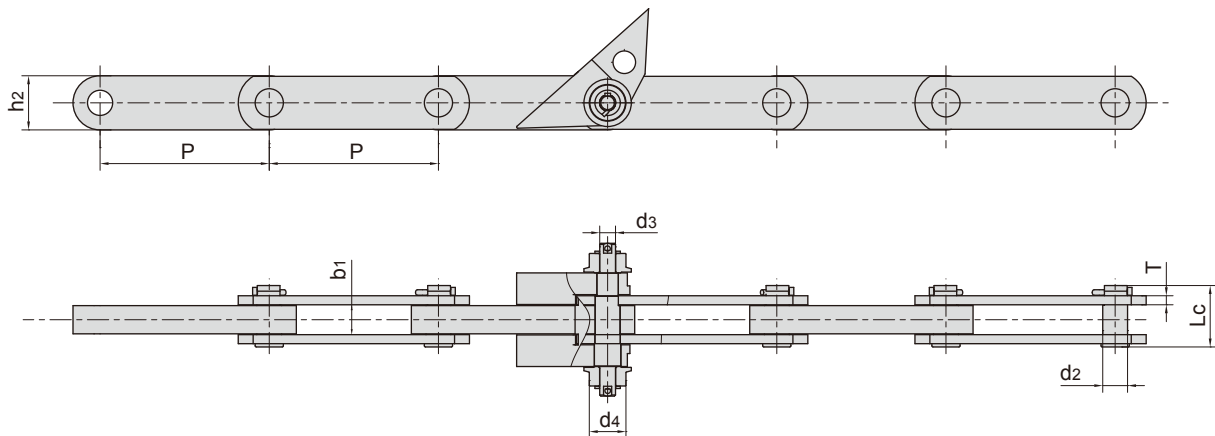


东华链号 Donghua Chain No.	节距 Pitch	滚子直径 Roller diameter	内节内宽 Width between inner plates	销轴直径 Pin diameter	销轴长度 Pin length	链板厚度 Plate thickness	附板尺寸 Attachment dimension				抗拉强度 Tensile strength	每米长重 Weight per meter
	P	d1 max	b1	d2 max	Lc max	T max	F	W	d4	h1	Q min	q
	mm	mm	mm	mm	mm	mm	mm	mm	mm	mm	kN/lbf	kg/m
P50.8F10	50.8	28.6	40.0	18.5	80.0	9.0	101.6	143.6	15.0	53.0	193/43416	11.2

## 钢厂用输送链 Conveyor chains for steel mill

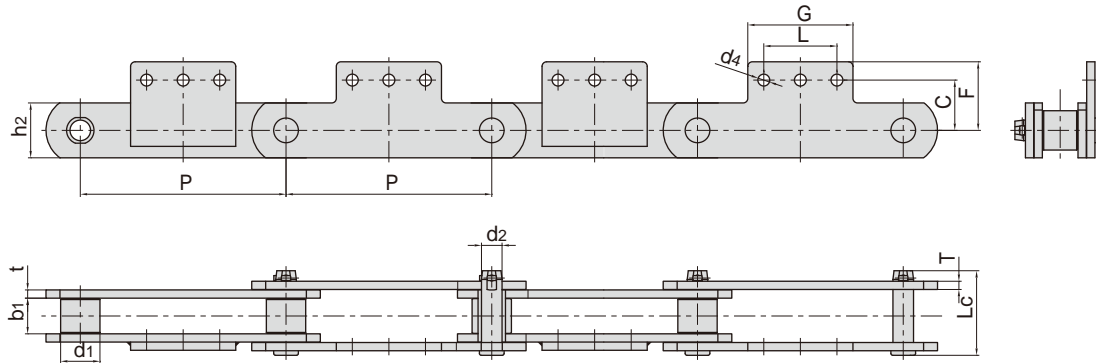


东华链号 Donghua Chain No.	节距 Pitch	滚子直径 Roller diameter		内节内宽 Width between inner plates	销轴直径 Pin diameter		销轴长度 Pin length	链板尺寸 Plate dimension		附件尺寸 Attachment dimension				抗拉强度 Tensile strength
	P	d1 max	d4	b1 min	d2 max	d3 max	Lc max	h2	T max	L	L2	M	h4	Q min
	mm	mm	mm	mm	mm	mm	mm	mm	mm	mm	mm	mm	mm	kN/lbf
P600F3	600.0	135.0	76.0	68.0	30.0	30.0	200.3	100.0	15.0	550.0	794.0	670.0	120.0	1000.0/224809.0

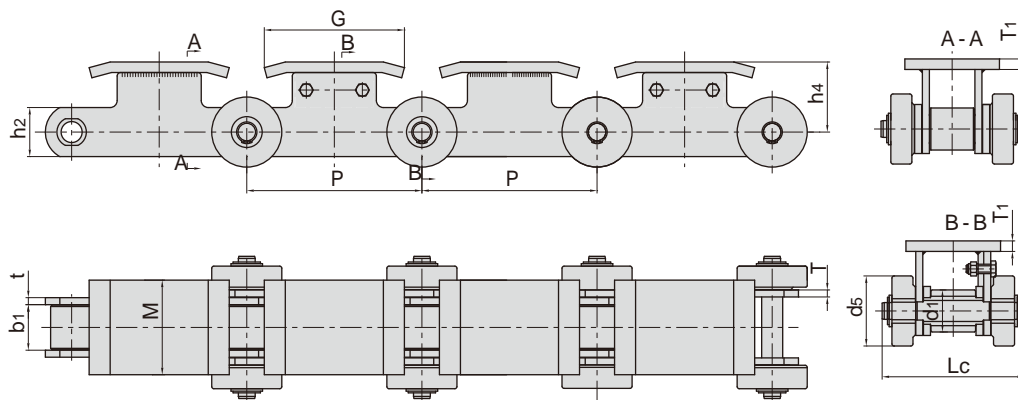


东华链号 Donghua Chain No.	节距 Pitch	滚子直径 Roller diameter	外节内宽 Width between outer plates	销轴直径 Pin diameter		销轴长度 Pin length	链板尺寸 Plate dimension		抗拉强度 Tensile strength
	P	d4 max	b1	d2 max	d3 max	Lc max	h2	T max	Q min
	mm	mm	mm	mm	mm	mm	mm	mm	kN/lbf
P300F7	300.0	65.0	53.0	44.0	28.0	108.9	96.0	16.0	500.0/112404.0

## 钢厂用输送链 Conveyor chains for steel mill

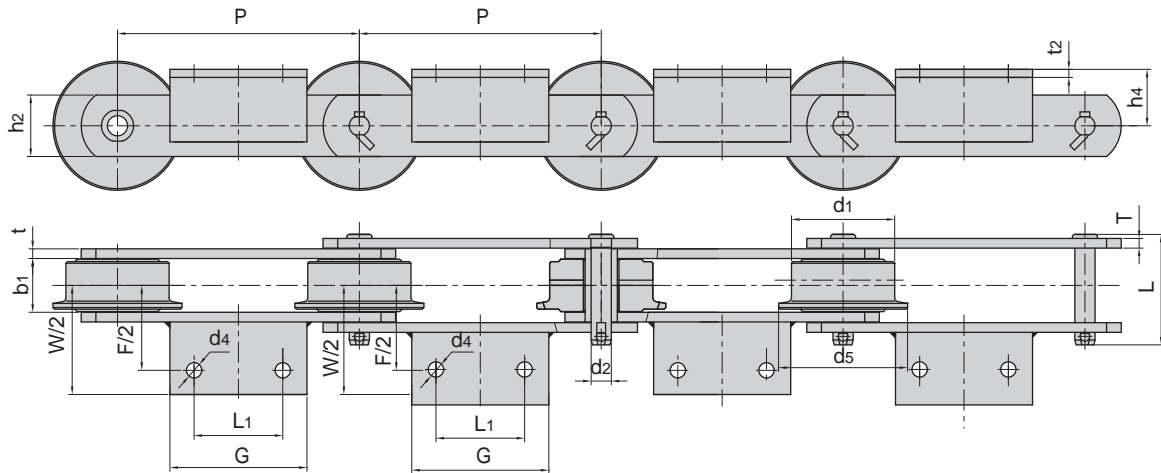


东华链号 Donghua Chain No.	节距	滚子直径	内节内宽	销轴直径	销轴长度	链板厚度	内链板高度	附板尺寸					每米长重
	Pitch	Roller diameter	Width between inner plates	Pin diameter	Pin length	Plate thickness	Inner Plate depth	Attachment dimension					Weight per meter
	P	d1 max	b1 min	d2 max	Lc max	t/T	h2 max	C	F	L	G	d4	q
mm	mm	mm	mm	mm	mm	mm	mm	mm	mm	mm	mm	mm	kg/m
P450F9SA3	450.0	85.0	78.0	45.0	185.0	18.0	120.0	133.0	150.0	160.0	230.0	26.0	61.7

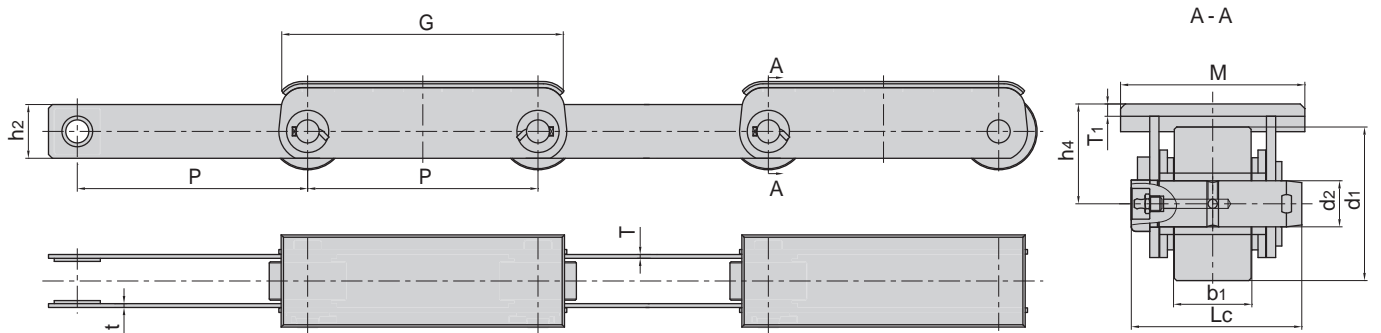


东华链号 Donghua Chain No.	节距	滚子直径		内节内宽	销轴直径	销轴长度	链板厚度	内链板高度	附板尺寸				抗拉强度
	Pitch	Roller diameter		Width between inner plates	Pin diameter	Pin length	Plate thickness	Inner Plate depth	Attachment dimension				Tensile strength
	P	d1 max	d5 max	b1 min	d2 max	Lc max	t/T	h2 max	h4	G	M	T1	Q min
mm	mm	mm	mm	mm	mm	mm	mm	mm	mm	mm	mm	mm	kN/lbf
P250F132	250.0	60.0	100.0	65.0	30.0	203.0	10.0	70.0	100.0	200.0	135.0	15.0	412.0/92618.0

## 钢厂用输送链 Conveyor chains for steel mill

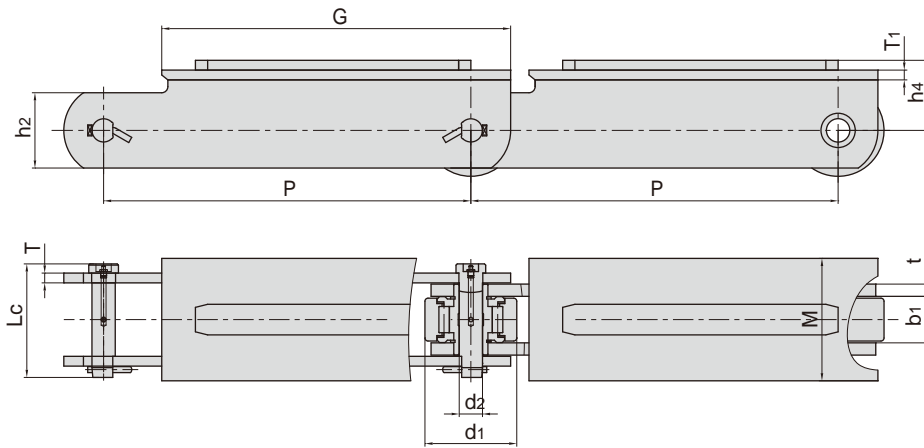


东华链号 Donghua Chain No.	节距 Pitch	滚子直径 Roller diameter		内节内宽 Width between inner plates	销轴直径 Pin diameter	销轴长度 Pin length	链板厚度 Plate thicknes	内链板高度 Inner Plate depth	附板尺寸 Attachment dimension						抗拉强度 Tensile strength	每米长重 Weight per meter									
		P	d1 max						d5 max	b1 min	d2 max	Lc max	t/T	h2 max			W	F	L1	G	d4	h4	t2	Q min	q
		mm	mm						mm	mm	mm	mm	mm	mm			mm	mm	mm	mm	mm	mm	mm	kN/lbf	kg/m
P300F38A2-F	300	128	160	67	25	138	13	78	300	211	110	170	19	70	10	485/109028	49.6								

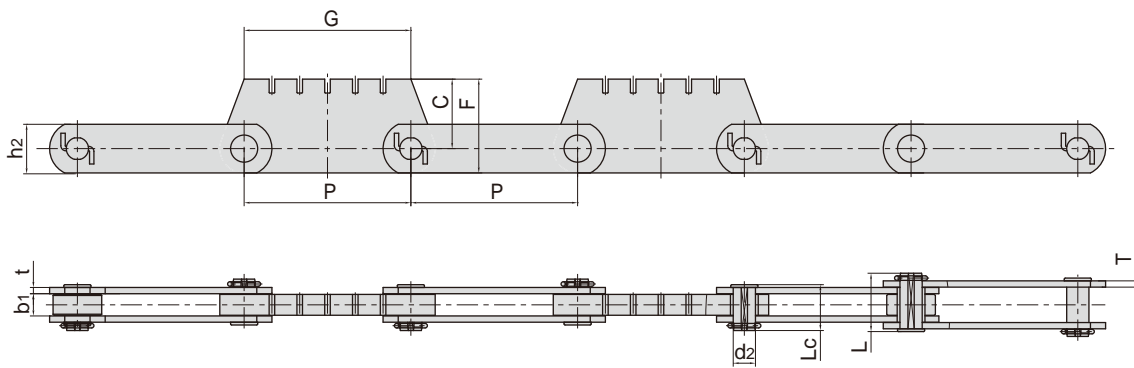


东华链号 Donghua Chain No.	节距 Pitch	滚子直径 Roller diameter		内节内宽 Width between inner plates	销轴直径 Pin diameter	销轴长度 Pin length	链板厚度 Plate thicknes	内链板高度 Inner Plate depth	附板尺寸 Attachment dimension				抗拉强度 Tensile strength	每米长重 Weight per meter							
		P	d1 max						b1 min	d2 max	Lc max	t/T			h2 max	h4	G	M	T1	Q min	q
		mm	mm						mm	mm	mm	mm			mm	mm	mm	mm	mm	kN/lbf	kg/m
P300F48	300	100	51	30	111	5	70	65	369	120	8	230/51704	25								

## 钢厂用输送链 Conveyor chains for steel mill

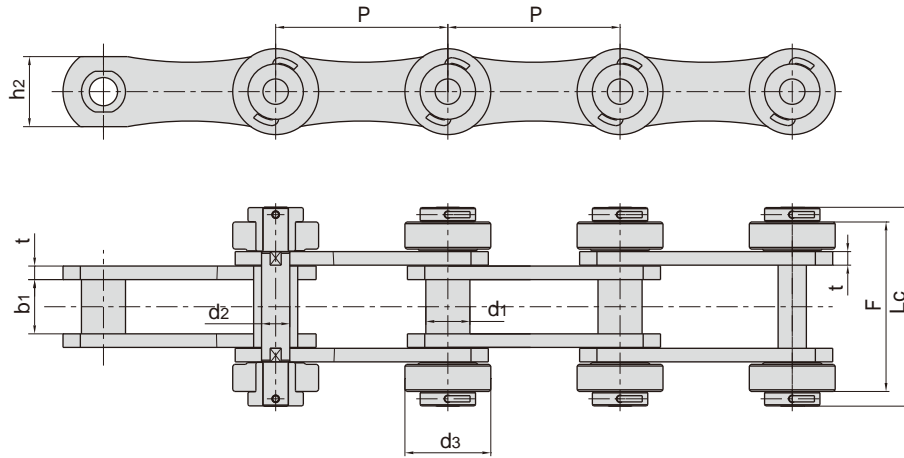


东华链号 Donghua Chain No.	节距 Pitch	滚子直径 Roller diameter	内节内宽 Width between inner plates	销轴直径 Pin diameter	销轴长度 Pin length	链板厚度 Plate thicknes	内链板高度 Inner Plate depth	附板尺寸 Attachment dimension			抗拉强度 Tensile strength	每米长重 Weight per meter	
	P	d1 max	b1 min	d2 max	Lc max	t / T	h2 max	h4	G	M	T1	Q min	q
	mm	mm	mm	mm	mm	mm	mm	mm	mm	mm	mm	kN/lbf	kg/m
P600F9	600.0	150.0	76.0	38.0	185.5	20/16	123.0	114.5	570.0	200.0	16.0	1300/292240	90.4

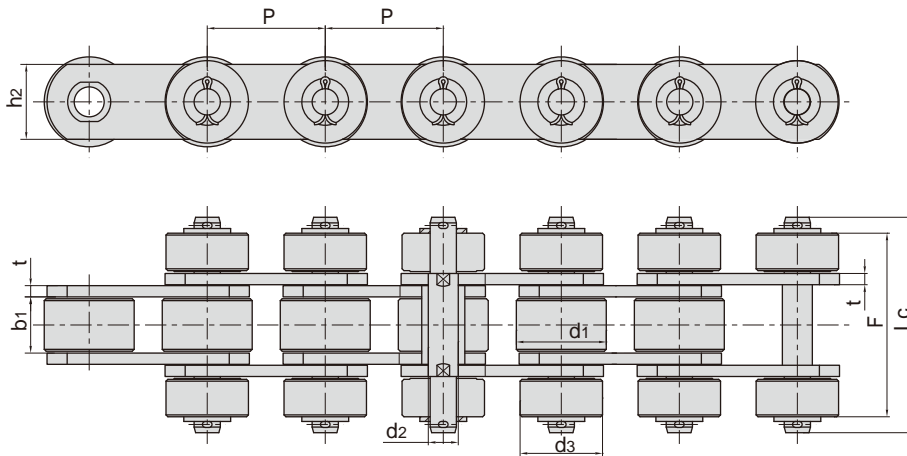


东华链号 Donghua Chain No.	节距 Pitch	内节内宽 Width between inner plates	销轴直径 Pin diameter	销轴长度 Pin length		链板厚度 Plate thicknes	内链板高度 Inner Plate depth	附板尺寸 Attachment dimension			抗拉强度 Tensile strength
	P	b1 min	d2 max	L max	Lc max	t / T	h2 max	C	F	G	Q min
	mm	mm	mm	mm	mm	mm	mm	mm	mm	mm	kN/lbf
P240F5	240.0	32.0	32.0	66.0	84.0	9.0	70.0	100.0	135.0	240.0	450/101160

## 钢厂用输送链 Conveyor chains for steel mill

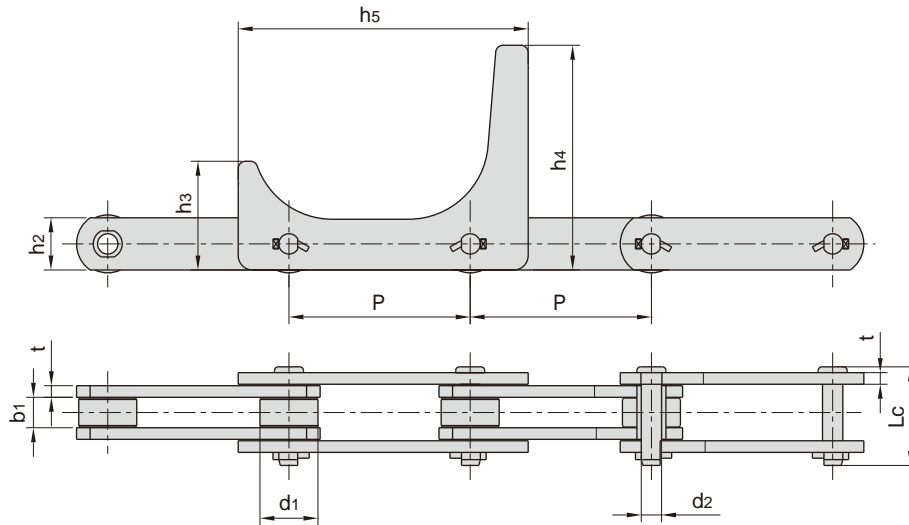


东华链号 Donghua Chain No.	节距 Pitch	套筒直径 Bush diameter	内节内宽 Width between inner plates	销轴直径 Pin diameter	销轴长度 Pin length	链板厚度 Plate thicknes	内链板高度 Inner Plate depth	附件尺寸 Attachment dimension		抗拉强度 Tensile strength	每米长重 Weight per meter
	P	d1 max	b1 min	d2 max	Lc max	t	h2 max	d3	F	Q min	q
	mm	mm	mm	mm	mm	mm	mm	mm	mm	kN/lbf	kg/m
P152F207SR2	152.4	39.0	48.0	25.0	176.0	12.0	62.0	133.0	150.0	1500.0/337200	23.7

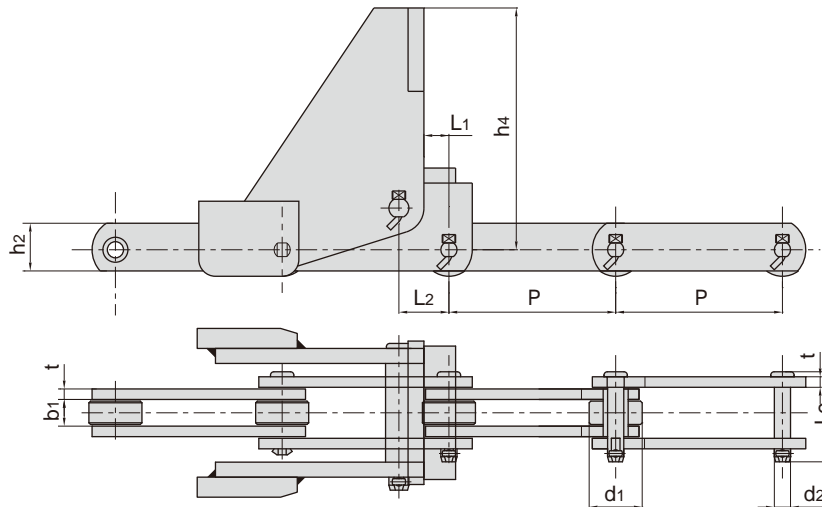


东华链号 Donghua Chain No.	节距 Pitch	滚子直径 Roller diameter	内节内宽 Width between inner plates	销轴直径 Pin diameter	销轴长度 Pin length	链板厚度 Plate thicknes	内链板高度 Inner Plate depth	附板尺寸 Attachment dimension		抗拉强度 Tensile strength	每米长重 Weight per meter
	P	d1 max	b1 min	d2 max	Lc max	t	h2 max	d3	F	Q min	q
	mm	mm	mm	mm	mm	mm	mm	mm	mm	kN/lbf	kg/m
P63F47	63.0	48.0	30.0	14.0	115.0	6.0/6.0	40.0	44.0	98.0	160.0/35968	20.5
P101.6F151SR2	101.6	63.5	48.0	18.0	150.0	8.0/8.0	40.0	50.0	134.0	235.0/52828	25.0

## 钢厂用输送链 Conveyor chains for steel mill

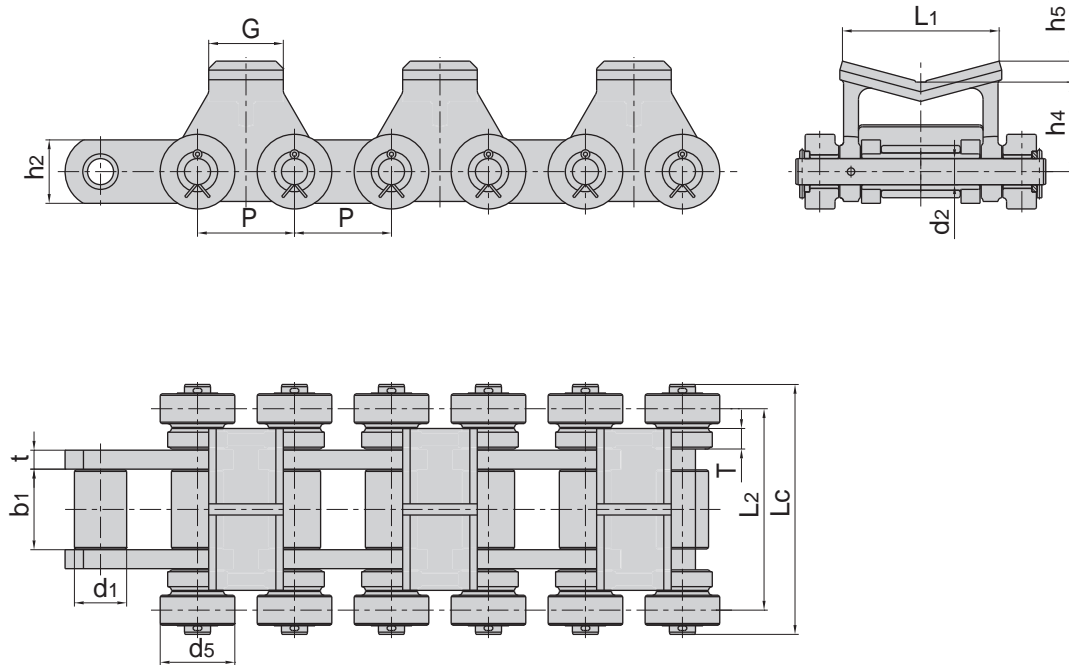


东华链号 Donghua Chain No.	节距 Pitch	滚子直径 Roller diameter	内节内宽 Width between inner plates	销轴直径 Pin diameter	销轴长度 Pin length	链板厚度 Plate thicknes	内链板高度 Inner Plate depth	附板尺寸 Attachment dimension			抗拉强度 Tensile strength	每米长重 Weight per meter
	P	d1 max	b1 min	d2 max	Lc max	t	h2 max	h3	h5	h6	Q min	q
	mm	mm	mm	mm	mm	mm	mm	mm	mm	mm	kN/lbf	kg/m
P125F51	125.00	40.00	21.00	14.00	77.00	10.00	36.00	75.00	155.00	200.00	160.00/35968	11.70
P125F56	125.00	40.00	21.00	14.00	68.00	8.00	36.00	75.00	155.00	200.00	160.00/35968	9.26



东华链号 Donghua Chain No.	节距 Pitch	滚子直径 Roller diameter	内节内宽 Width between inner plates	销轴直径 Pin diameter	销轴长度 Pin length	链板厚度 Plate thicknes	内链板高度 Inner Plate depth	附板尺寸 Attachment dimension			抗拉强度 Tensile strength	平均抗拉强度 Average tensile strength	每米长重 Weight per meter
	P	d1 max	b1 min	d2 max	Lc max	t	h2 max	h4	L1	L2	Q min	Q0	q
	mm	mm	mm	mm	mm	mm	mm	mm	mm	mm	kN/lbf	kN	kg/m
P100F254	100.0	31.8	16.0	9.7	54.0	6.3	28.6	145.0	15.0	30.0	160.0/35968	108.0	84.1
P100F341	100.0	31.8	16.0	9.7	54.0	6.3	28.6	145.0	70.0	30.0	160.0/35968	108.0	25.7

## 钢厂用输送链 Conveyor chains for steel mill

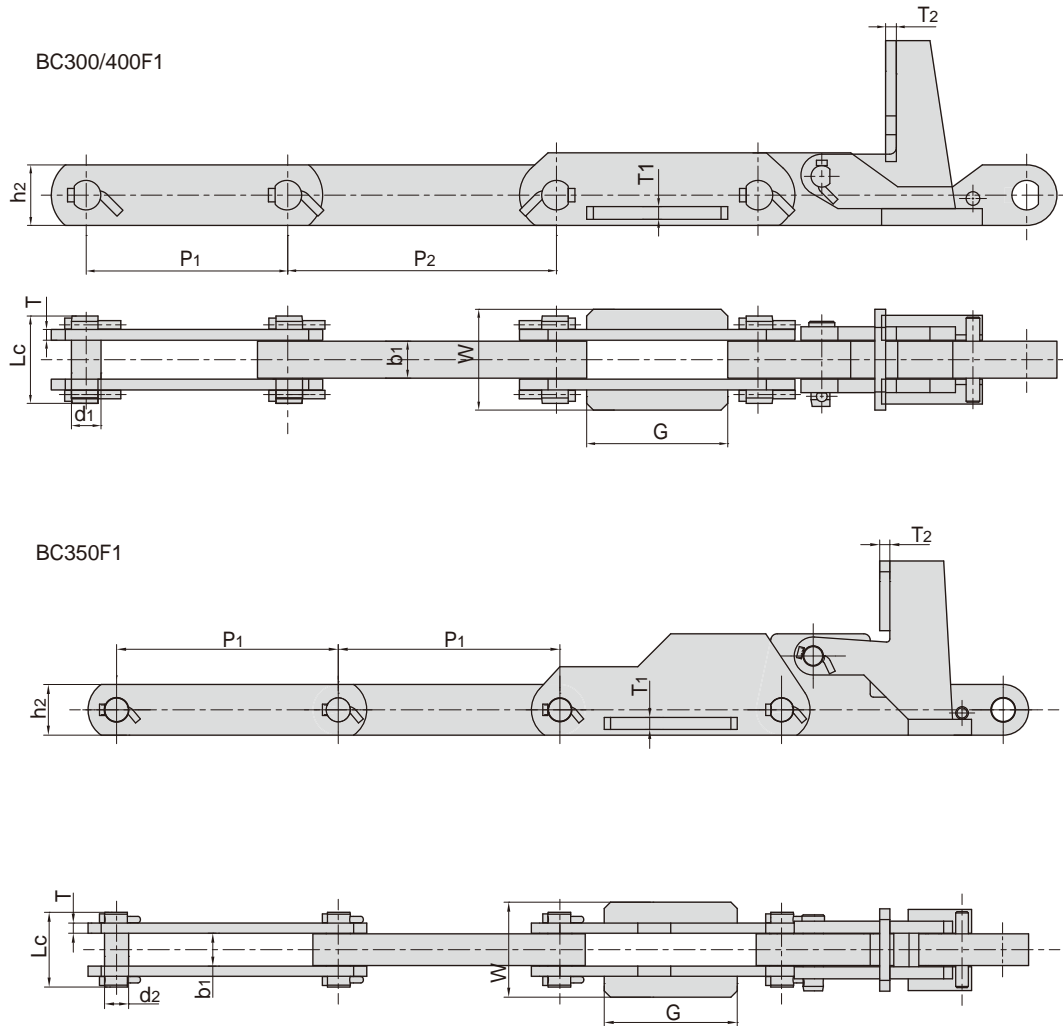


东华链号 Donghua Chain No.	节距 Pitch	滚子直径 Roller diameter	内节内宽 Width between inner plates	销轴直径 Pin diameter	销轴长度 Pin length	链板厚度 Plate thicknes	内链板高度 Inner Plate depth	抗拉强度 Tensile strength	平均抗拉强度 Average tensile strength	每米长重 Weight per meter
	P	d1 max	b1 min	d2 max	Lc max	t/T	h2 max	Q min	Q0	q
	mm	mm	mm	mm	mm	mm	mm	kN/lbf	kN	kg/m
P130F6	130	70	108	35	335	25.4/27.5	85	800/179840	880	149.7

东华链号 Donghua Chain No.	附件尺寸 Attachment dimension				
	h4	h5	L1	L2	d5
	mm	mm	mm	mm	mm
P130F6	120	28.5	210	270	100



## 钢厂用输送链 Conveyor chains for steel mill



东华链号 Donghua Chain No.	节距 Pitch		外节内宽 Width between outer plates	销轴直径 Pin diameter	销轴长度 Pin length	链板尺寸 Plate dimension		附件尺寸 Attachment dimension				抗拉强度 Tensile strength
	P <sub>1</sub>	P <sub>2</sub>				h <sub>2</sub>	T	G	W	T <sub>1</sub>	T <sub>2</sub>	
	mm	mm	b <sub>1</sub> min	d <sub>2</sub> max	L <sub>c</sub> max							mm
BC300/400F1	300	400	58	42	130	90	16	210	150	19	16	1270/285500
BC350F1	350	-	53	38	118	80	16	210	150	19	16	1080/242793