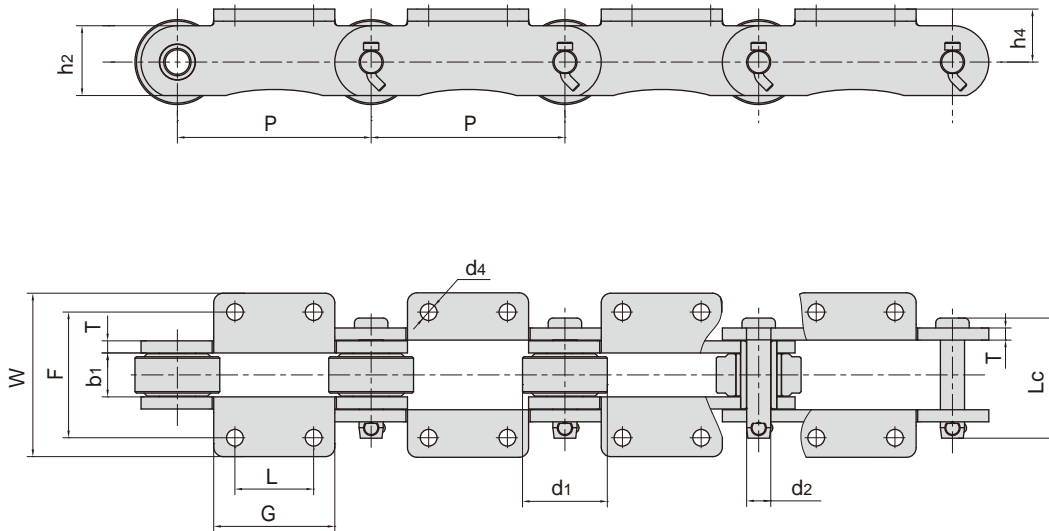


糖机链

Sugar mill chains

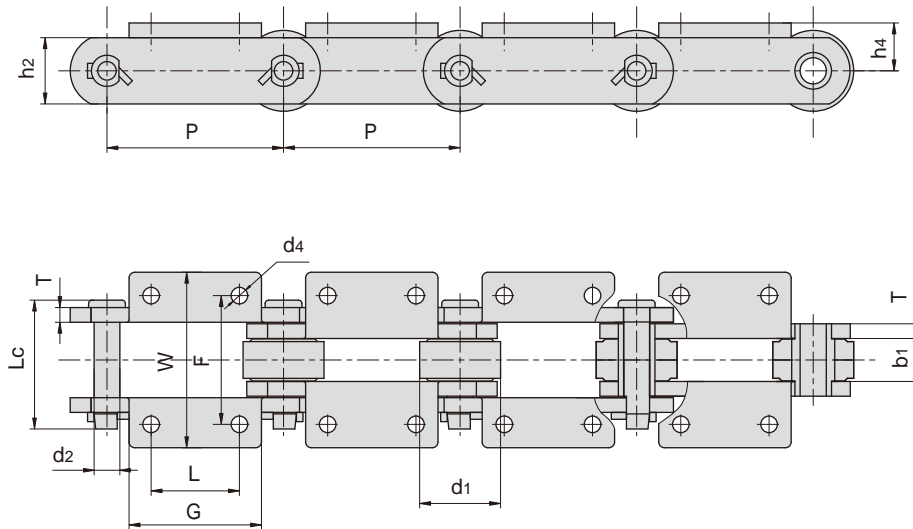


东华链号 Donghua Chain No.	节距	滚子直径	内节内宽	销轴直径	销轴长度	链板高度	链板厚度	抗拉强度	平均抗拉强度	每米长重
	Pitch	Roller diameter	Width between inner plates	Pin diameter	Pin length	Plate depth	Plate thickness	Tensile strength	Average tensile strength	Weight per meter
	P	d1 max	b1	d2 max	Lc max	h2 max	T max	Q min	Q0	q
	mm	mm	mm	mm	mm	mm	mm	kN/lbf	kN	kg/m
P152F68K2	152.4	69.85	37.1	22.23	111.2	57.2	12.70	413/92842	455.0	26.50
P152F97K2	152.4	76.20	38.1	26.90	116.6	60.3	12.70	450/101160	495.0	30.70
P152F101K2	152.4	69.85	37.1	18.90	96.6	54.1	9.52	311/69913	345.0	24.68
SM203.2F3K2	203.2	88.90	46.0	25.32	126.0	71.4	12.70	520/116900	545.0	37.70
SM203.2F4K2	203.2	88.90	46.0	25.32	126.0	73.2	12.70	585/131513	614.0	35.90
SM203.2F5K2	203.2	88.90	46.0	25.32	126.0	70.0	12.70	480/107908	504.0	37.60

东华链号 Donghua Chain No.	P	G	L	F	W	h4	d4
	mm	mm	mm	mm	mm	mm	mm
P152F68K2	152.4	114.3	76.2	111.10	151.5	41.30	14.30
P152F97K2	152.4	111.3	76.2	111.10	148.6	42.92	14.30
P152F101K2	152.4	139.7	76.2	111.20	169.1	41.40	14.20
SM203.2F3K2	203.2	152.4	82.6	131.76	182.6	55.50	19.05
SM203.2F4K2	203.2	127.0	82.6	131.76	171.4	55.50	17.50
SM203.2F5K2	203.2	152.4	82.6	133.80	191.0	54.50	19.05

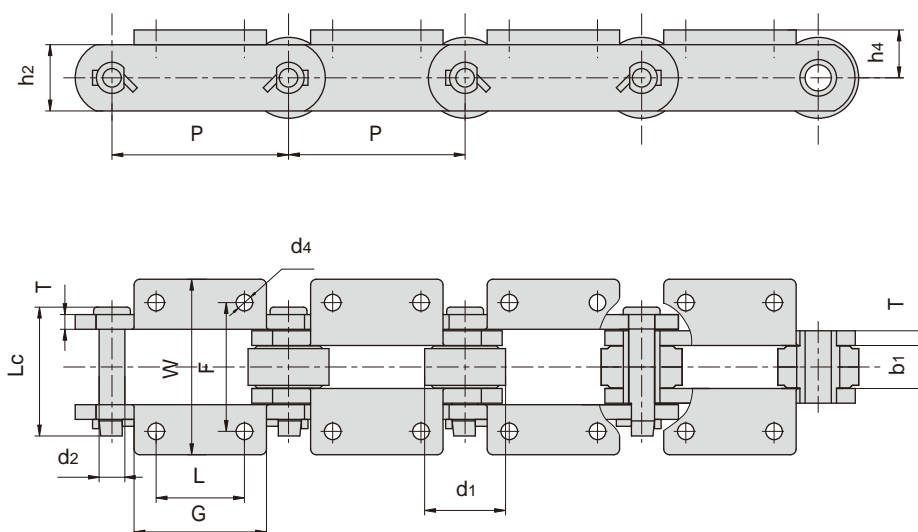
糖机链

Sugar mill chains



东华链号 Donghua Chain No.	节距 Pitch	滚子直径 Roller diameter	内节内宽 Width between inner plates	销轴直径 Pin diameter	销轴长度 Pin length	链板高度 Plate depth	链板厚度 Plate thickness	抗拉强度 Tensile strength	平均抗拉强度 Average tensile strength	每米长重 Weight per meter
	P	d1 max	b1 min	d2 max	Lc max	h2 max	T max	Q min	Q0	q
	mm	mm	mm	mm	mm	mm	mm	kN/lbf	kN	kg/m
SM150F1K2	150.00	85.00	55.00	23.90	128.00	70.00	12.00	450.0/101160	495.0	44.50
DH 9063	152.40	76.20	38.10	23.83	103.20	61.00	10.30	445.0/100000	489.0	27.50
DH 2198	152.40	69.85	38.10	22.23	111.20	57.15	12.70	404.5/91000	445.0	27.90
P152F78K2	152.40	69.85	37.60	22.23	97.10	57.20	9.52	376.0/84500	410.0	26.20
P152F78K2F1	152.40	69.85	37.60	22.23	97.10	57.20	9.52	400.0/89920	440.0	26.68
P152F83K2	152.40	69.85	37.10	21.85	108.00	57.20	12.70	413.0/92842	454.3	28.50
P152F87K2	152.40	76.20	38.10	23.83	103.20	60.30	10.30	438.0/98462	481.8	28.45
P152F93K2	152.40	76.20	37.60	22.23	97.10	57.20	9.52	376.0/84500	410.0	26.20
P152F103	152.40	76.20	39.40	28.58	115.90	69.85	12.70	390.0/87672	429.0	34.50
SM152F25K2	152.40	50.80	30.00	11.10	69.00	38.10	6.40	80.0/17984	88.0	11.00
SM152F29K2	152.40	69.90	38.10	22.23	112.80	57.20	12.70	450.0/101160	495.0	28.70
SM152F33K2	152.40	76.20	38.10	27.00	112.00	60.50	12.70	400.0/89920	440.0	32.40
SM152F46K2	152.40	69.85	37.80	19.05	97.20	50.80	9.70	285.0/64068	311.3	24.20
SM152F57K2	152.40	76.20	38.10	22.23	100.00	57.20	9.50	350.0/78680	385.0	25.60
P203.2F8	203.20	88.90	45.30	25.40	123.00	71.40	12.70	615.0/138252	676.5	37.25
SM203.2F1K2	203.20	107.95	92.10	38.10	170.00	88.90	12.70	760.0/170848	836.0	67.68
SM203.2F15K2	203.20	88.90	46.00	25.40	120.90	69.90	12.70	444.8/99991	489.3	36.60
SM228.6F16K2	228.60	76.00	42.00	22.23	104.00	64.00	10.00	400.0/89920	440.0	28.00
SM304.8F18K2	304.80	101.60	69.85	34.80	163.80	88.90	16.00	1200.0/269760	1320.0	57.21

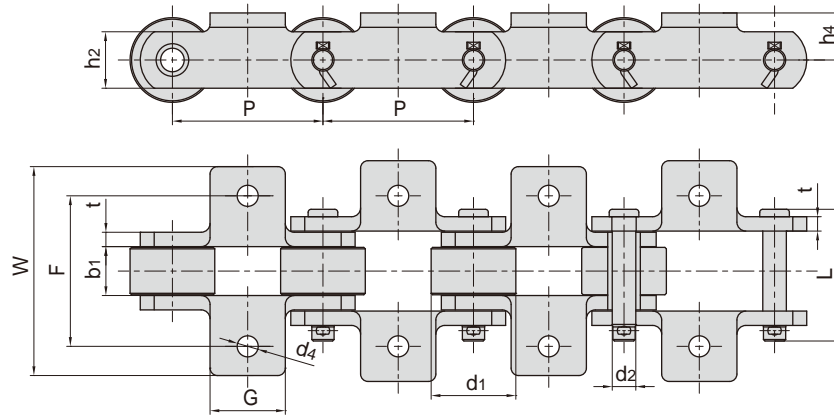
糖机链 Sugar mill chains



东华链号 Donghua Chain No.	P	G	L	F	W	h4	d4
	mm	mm	mm	mm	mm	mm	mm
SM150F1K2	150.00	95.00	55.00	155.00	233.00	55.00	15.00
DH 9063	152.40	114.30	76.20	111.13	165.86	44.45	14.30
DH 2198	152.40	114.30	76.20	111.25	152.40	41.40	14.30
P152F78K2	152.40	114.30	76.20	111.00	165.00	41.30	14.00
P152F78K2F1	152.40	114.30	76.20	111.00	165.00	41.30	13.00
P152F83K2	152.40	111.00	76.20	111.60	152.20	41.30	14.30
P152F87K2	152.40	114.30	76.20	111.40	165.00	44.50	14.30
P152F93K2	152.40	110.00	76.20	111.00	146.00	44.50	14.30
P152F103	152.40	108.00	76.20	111.10	147.60	50.80	14.30
SM152F25K2	152.40	88.90	50.80	101.60	143.80	31.75	10.40
SM152F29K2	152.40	111.30	76.20	111.30	146.10	41.10	14.20
SM152F33K2	152.40	114.30	76.20	111.30	169.40	42.90	14.20
SM152F46K2	152.40	136.70	76.20	111.20	152.40	41.10	14.20
SM152F57K2	152.40	110.00	76.20	111.20	170.00	41.50	15.00
P203.2F8	203.20	165.00	114.30	132.00	183.00	55.50	17.50
SM203.2F1K2	203.20	146.00	82.60	193.70	260.30	69.90	17.50
SM203.2F15K2	203.20	127.00	82.60	131.80	183.40	55.60	17.50
SM228.6F16K2	228.60	152.00	100.00	156.50	222.50	42.00	14.00
SM304.8F18K2	304.80	203.20	152.40	203.20	257.80	69.85	17.50

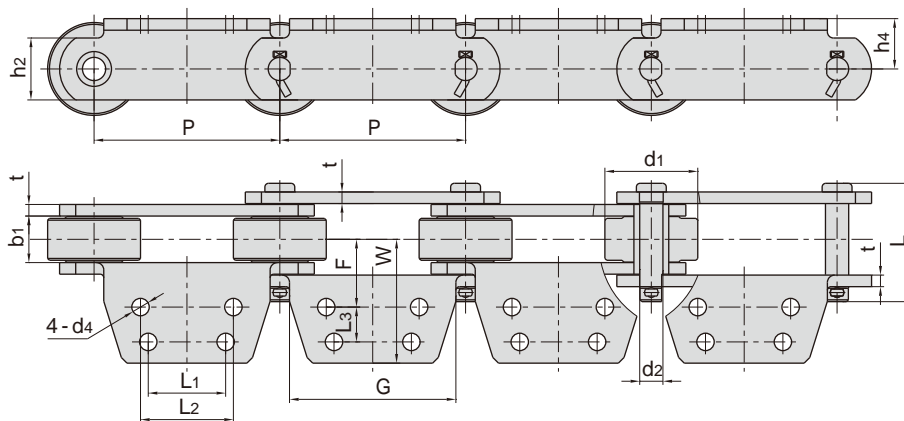
糖机链

Sugar mill chains



东华链号 Donghua Chain No.	节距 Pitch	滚子直径 Roller diameter	内节内宽 Width between inner plates	销轴直径 Pin diameter	销轴长度 Pin length	链板高度 Plate depth	链板厚度 Plate thickness	抗拉强度 Tensile strength	每米长重 Weight per meter
	P	d1 max	b1 min	d2 max	L max	h2 max	t max	Q min	q
	mm	mm	mm	mm	mm	mm	mm	kN/lbf	kg/m
SM101.6F19K1	101.60	57.15	33.00	15.90	88.90	38.10	9.70	176.4/39655	18.3

东华链号 Donghua Chain No.	P	G	F	W	h4	d4
	mm	mm	mm	mm	mm	mm
SM101.6F19K1	101.60	50.80	101.60	141.00	31.75	14.20

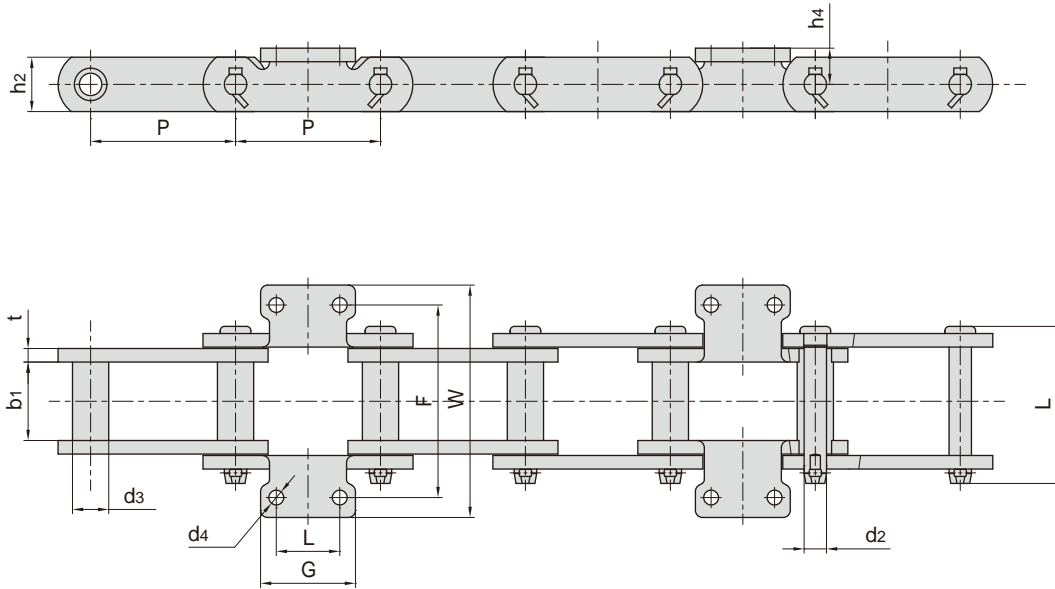


东华链号 Donghua Chain No.	节距 Pitch	滚子直径 Roller diameter	内节内宽 Width between inner plates	销轴直径 Pin diameter	销轴长度 Pin length	链板高度 Plate depth	链板厚度 Plate thickness	抗拉强度 Tensile strength	每米长重 Weight per meter
	P	d1 max	b1 min	d2 max	L max	h2 max	t max	Q min	q
	mm	mm	mm	mm	mm	mm	mm	kN/lbf	kg/m
SM152F63A4	152.4	76.2	38.1	19.05	97.1	38.1	9.5	285.0/64068	23.0

东华链号 Donghua Chain No.	P	G	F	W	h4	d4	L1	L2	L3
	mm	mm	mm	mm	mm	mm	mm	mm	mm
SM152F63A4	152.4	136.50	55.60	101.60	41.30	14.30	63.5	76.20	28.58

糖机链

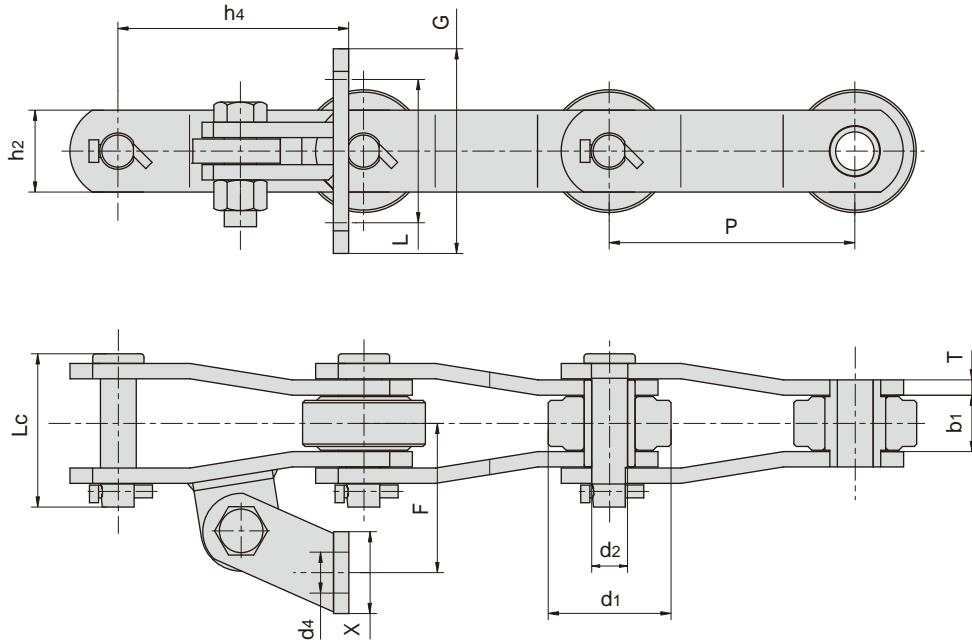
Sugar mill chains



东华链号 Donghua Chain No.	节距 Pitch	套筒直径 Bush diameter	内节内宽 Width between inner plates	销轴直径 Pin diameter	销轴长度 Pin length	链板高度 Plate depth	链板厚度 Plate thickness	抗拉强度 Tensile strength	每米长重 Weight per meter
	P	d3 max	b1 min	d2 max	L max	h2 max	t max	Q min	q
	mm	mm	mm	mm	mm	mm	mm	kN/lbf	kg/m
S102BF6K2	101.60	25.40	54.00	15.70	110.50	38.10	9.50	160.0/35968	11.25
SM152F56K2	152.40	36.58	66.50	19.05	126.00	58.80	9.70	330.0/74184	17.26

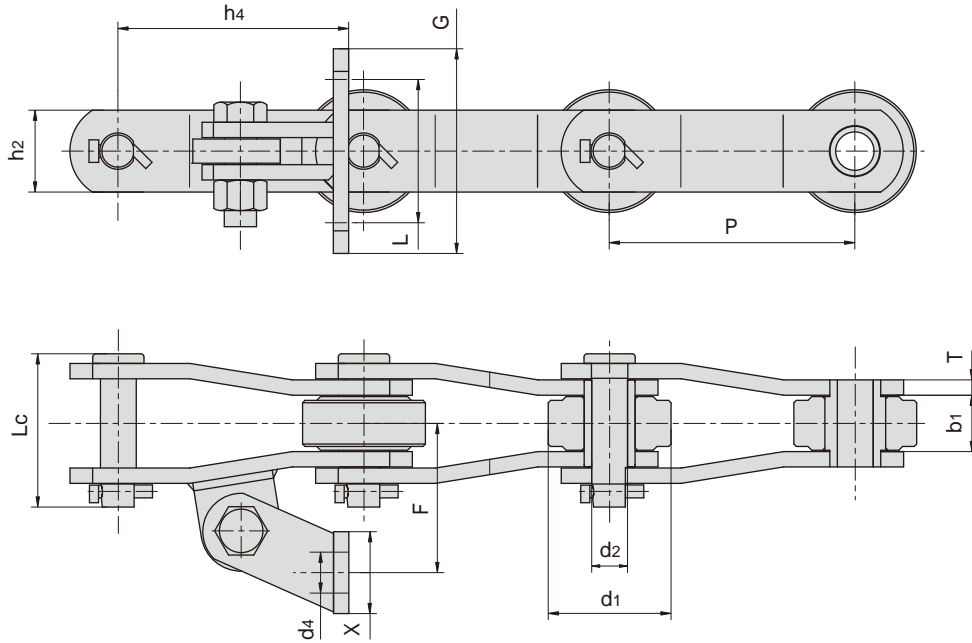
东华链号 Donghua Chain No.	P	G	L	F	W	h4	d4
	mm	mm	mm	mm	mm	mm	mm
S102BF6K2	101.60	66.50	44.50	134.90	162.80	25.40	10.40
SM152F56K2	152.40	114.30	58.70	158.75	212.85	38.10	13.50

糖机链 Sugar mill chains



东华链号 Donghua Chain No.	节距 Pitch	滚子直径 Roller diameter	内节内宽 Width between inner plates	销轴直径 Pin diameter	销轴长度 Pin length	链板高度 Plate depth	链板厚度 Plate thickness	抗拉强度 Tensile strength	平均抗拉强度 Average tensile strength
	P	d1 max	b1	d2 max	L max	h2 max	T max	Q min	Q0
	mm	mm	mm	mm	mm	mm	mm	kN/lbf	kN
SM101.6F1-AS2	101.60	50.80	33.28	17.45	77.00	38.10	8.00	160.0/35968	176.0
SM101.6F10-AS2	101.60	50.80	32.60	17.50	83.00	44.50	7.90	138.1/31045	155.0
P152F77-AS2	152.40	76.20	34.50	22.23	95.10	50.80	9.52	263.0/59122	290.0
P152F87-AS2	152.40	76.20	38.10	23.83	103.20	60.30	10.30	438.0/98462	485.0
P152F146-AS2	152.40	76.20	39.80	23.83	113.00	63.50	12.70	453.6/101834	450.0
P152F153-AS2F1	152.40	70.00	34.60	22.23	95.80	57.00	10.00	263.0/59122	290.0
P152F154-AS2F1	152.40	72.00	34.96	18.85	73.80	50.80	9.52	250.0/56200	275.0
SM152F6-AS2	152.40	76.20	38.10	22.23	97.10	57.20	9.52	362.0/81377	400.0
SM152F14-AS2	152.40	76.20	34.90	22.20	96.35	55.80	9.50	362.6/81512	400.0
SM152F16-AS2	152.40	76.20	37.00	24.00	110.00	64.00	12.00	600.0/134880	660.0
SM152F31-AS2	152.40	76.20	34.96	22.23	97.50	50.80	9.53	328.0/73734	380.0
SM152F43-AS2	152.40	76.20	38.90	23.75	111.50	63.50	12.70	445.4/100126	490.0
P203.2F9	203.20	88.90	46.00	25.40	118.20	69.90	12.70	615.0/138252	680.0
SM203.2	203.20	88.90	41.30	30.16	130.00	69.90	15.00	700.0/157360	770.0
SM203.2F7-AS2	203.20	89.00	46.10	25.40	125.00	76.20	12.70	700.0/157360	770.0
SM203.2F18-AS2	203.20	88.90	46.10	25.40	123.00	70.00	12.70	620.0/139376	690.0

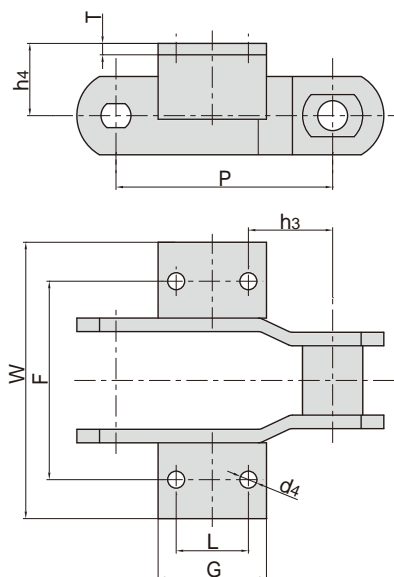
糖机链 Sugar mill chains



东华链号 Donghua Chain No.	P	G	L	F	X	h4	d4
	mm	mm	mm	mm	mm	mm	mm
SM101.6F1-AS2	101.60	120.65	69.85	85.85	50.80	90.93	14.70
SM101.6F10-AS2	101.60	111.00	84.10	74.60	44.50	80.90	11.10
P152F77-AS2	152.40	127.00	88.90	92.10	50.80	143.00	14.20
P152F87-AS2	152.40	127.00	88.90	100.00	50.80	143.00	14.20
P152F146-AS2	152.40	127.00	89.00	105.00	63.50	121.40	15.00
P152F153-AS2F1	152.40	122.00	84.00	95.84	50.00	113.20	14.00
P152F154-AS2F1	152.40	127.00	81.00	114.67	50.80	127.00	15.00
SM152F6-AS2	152.40	127.10	88.90	92.10	50.80	143.00	14.30
SM152F14-AS2	152.40	127.00	88.90	93.65	50.80	142.85	14.20
SM152F16-AS2	152.40	127.00	89.00	97.00	50.80	142.80	14.00
SM152F31-AS2	152.40	127.00	88.90	92.10	50.80	130.55	14.20
SM152F43-AS2	152.40	127.00	88.90	104.60	50.80	130.00	14.20
P203.2F9	203.20	127.00	88.90	107.10	50.80	168.40	14.20
SM203.2	203.20	127.00	88.90	107.18	50.80	168.40	14.30
SM203.2F7-AS2	203.20	127.00	88.90	107.10	50.80	168.40	14.20
SM203.2F18-AS2	203.20	127.00	88.90	107.10	50.80	168.30	14.20

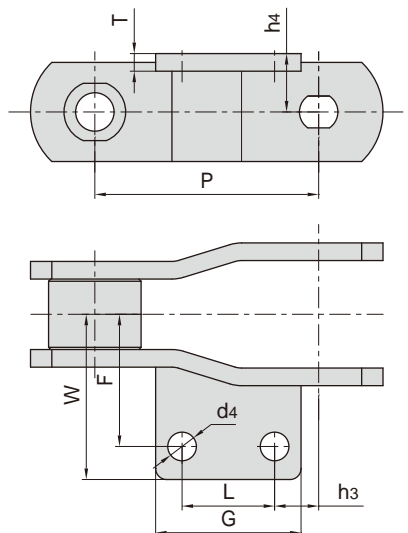
糖机链 Sugar mill chains

带焊接K2附件
With welded K2 attachment



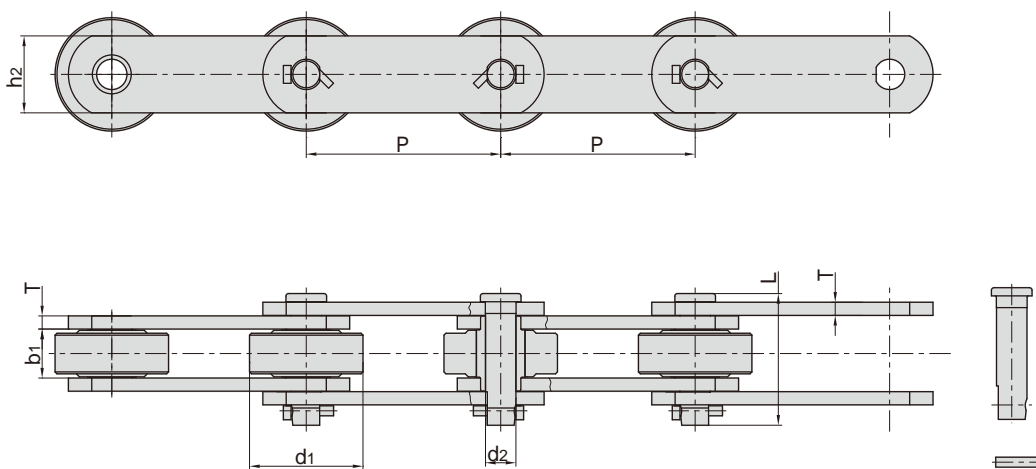
东华链号 Donghua Chain No.	P	F	W	L	G	h3	h4	d4	T
	mm	mm	mm	mm	mm	mm	mm	mm	mm
SM228.6F3K2	228.6	209.6	291.3	76.2	114.3	88.9	76.2	18.0	12.0

带焊接A2附件
With welded A2 attachment



东华链号 Donghua Chain No.	P	F	W	L	G	h3	h4	d4	T
	mm	mm	mm	mm	mm	mm	mm	mm	mm
SM101.6F4A2	101.6	60	75	42	66	20	26.5	13.0	8.0

糖机链 Sugar mill chains



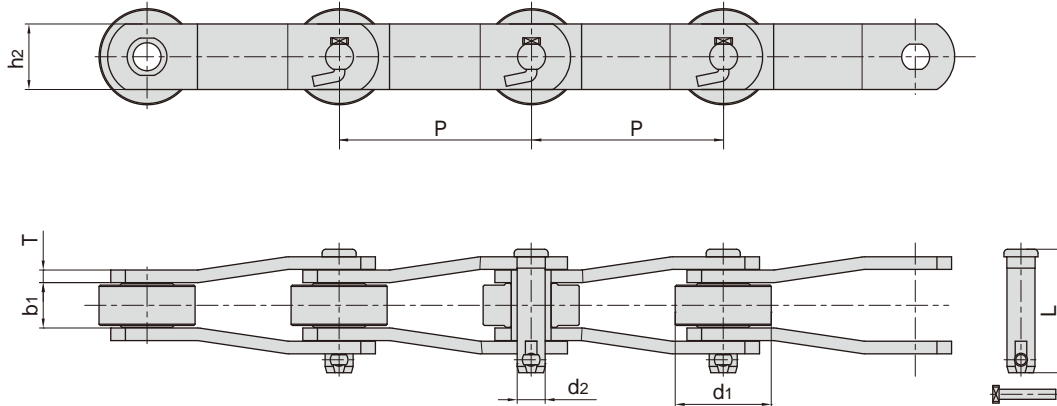
东华链号 Donghua Chain No.	节距 Pitch	滚子直径 Roller diameter	内节内宽 Width between inner plates	销轴直径 Pin diameter	销轴长度 Pin length	链板高度 Plate depth	链板厚度 Plate thickness	抗拉强度 Tensile strength	平均抗拉强度 Average tensile strength	每米长重 Weight per meter
	P	d1 max	b1	d2 max	L max	h2 max	T max	Q min	Qo min	q
	mm	mm	mm	mm	mm	mm	mm	kN/lbf	kN	kg/m
P101.6F138*	101.60	30.00	40.00	19.00	100.00	45.00	9.50	250.0/56200	275.0	12.50
P152F78	152.40	69.85	38.10	22.23	97.10	57.20	9.52	400.0/89920	440.0	19.42
P152F88	152.40	88.90	38.10	23.83	103.20	60.30	10.30	438.0/98462	480.0	22.23
P152F114	152.40	70.00	37.10	25.00	98.00	75.00	9.52	600.0/134880	660.0	24.60
P152F156	152.40	69.85	38.10	18.90	96.60	57.00	9.52	378.1/85001	416.0	18.95
SM152F2	152.40	69.85	38.10	18.90	96.60	50.80	9.52	350.0/78680	385.0	17.27
SM152F5	152.40	76.20	38.10	23.80	103.00	63.50	10.30	438.0/98462	480.0	19.89
SM152F7	152.40	76.20	37.10	25.00	110.80	65.00	12.00	500.0/112400	550.0	26.42
DH2600	152.40	88.90	67.46	25.35	125.90	76.20	9.52	606.0/136229	670.0	37.10
SM203.2F11	203.20	89.90	46.00	25.40	124.00	76.20	12.70	690.0/155112	760.0	32.30

*套筒链：表中滚子直径d1为套筒直径

*Bush chain: d1 in the table indicates the external diameter of the bush.

糖机链

Sugar mill chains



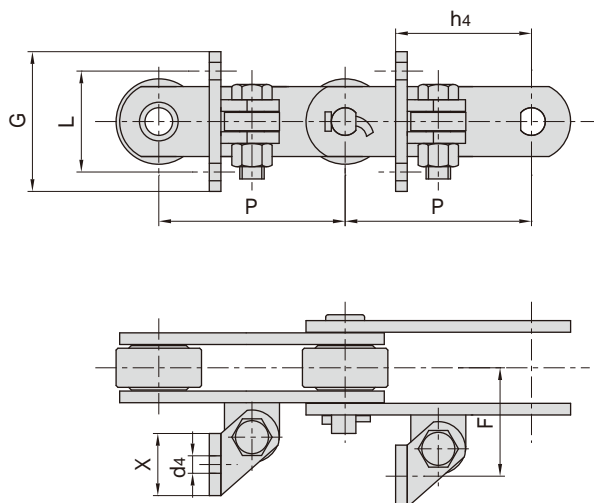
东华链号 Donghua Chain No.	节距	滚子直径	内节内宽	销轴直径	销轴长度	链板高度	链板厚度	抗拉强度	平均抗拉强度	每米长重
	Pitch	Roller diameter	Width between inner plates	Pin diameter	Pin length	Plate depth	Plate thickness	Tensile strength	Average tensile strength	Weight per meter
	P	d1 max	b1	d2 max	L max	h2 max	T max	Q min	Qo min	q
	mm	mm	mm	mm	mm	mm	mm	kN/lbf	kN	kg/m
SM102*	102.00	36.00	42.00	16.00	92.00	45.00	8.00	210.0/47208	230.0	11.59
SM101.6F4*	101.60	42.00	32.00	17.50	83.00	45.00	8.00	281.5/63281	309.7	12.30
SM101.6F7*	101.60	36.50	41.30	15.88	94.30	44.50	7.90	191.1/42959	210.0	11.84
SM101.6F10	101.60	50.80	32.60	17.50	83.00	44.50	7.90	138.1/31045	151.9	13.29
P152F77	152.40	76.20	35.00	22.23	95.10	50.80	9.52	263.0/59122	290.0	17.98
P152F151	152.40	76.20	36.00	22.20	98.00	52.00	10.00	361.3/81220	397.4	19.10
SM152F16	152.40	76.20	37.00	24.00	110.00	64.00	12.00	600.0/134880	660.0	26.20
SM152F54	152.40	76.20	35.00	22.43	96.00	50.80	9.50	263.0/59122	290.0	17.90
SM203.2F8	203.20	88.90	46.10	25.40	122.00	76.20	12.70	700.0/157360	770.0	31.10
SM228.6F3*	228.60	63.50	73.20	31.75	157.00	82.60	14.20	250.0/56200	275.0	33.60
SM228.6F4	228.60	89.00	37.00	25.40	102.00	65.00	10.00	466.0/104756	512.5	21.20
SM228.6F6	228.60	99.00	46.00	32.00	137.00	86.00	16.00	1150.0/258520	1265.0	41.80
SM228.6F8	228.60	99.00	47.00	32.00	126.00	86.00	12.70	920.0/206816	1012.0	34.20

*套筒链：表中滚子直径d1为套筒直径

*Bush chain: d1 in the table indicates the external diameter of the bush.

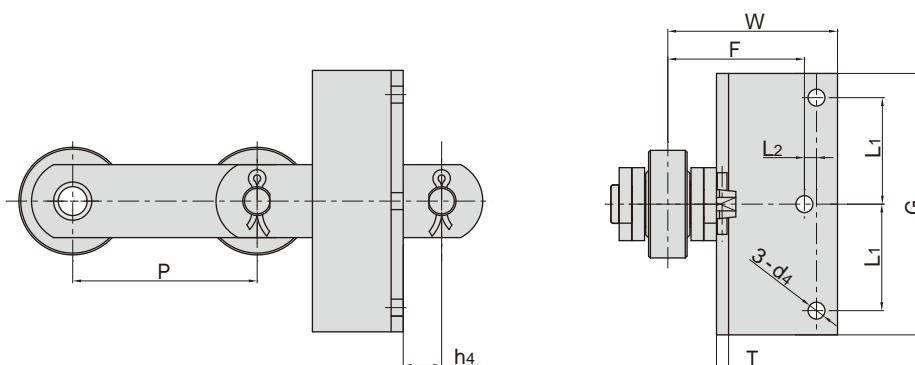
糖机链 Sugar mill chains

带AS2附件
With AS2 attachment



东华链号 Donghua Chain No.	P mm	G mm	L mm	F mm	X mm	h4 mm	d4 mm
P152F78-AS2	152.40	114.30	82.55	88.90	50.80	111.12	14.30
DH2600-AS2	152.40	127.00	88.90	120.70	50.80	143.00	14.20
DH2600-AS2F2	152.40	127.00	88.90	120.60	50.80	146.00	13.50

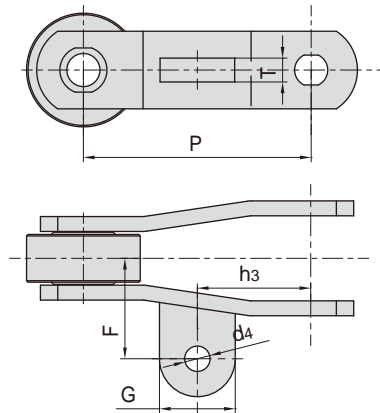
带F3附件
With F3 attachment



东华链号 Donghua Chain No.	P mm	F mm	W mm	h4 mm	d4 mm	G mm	L1 mm	L2 mm
P152F88-F3	152.40	112.80	140.10	31.75	14.00	216.00	88.00	10.00

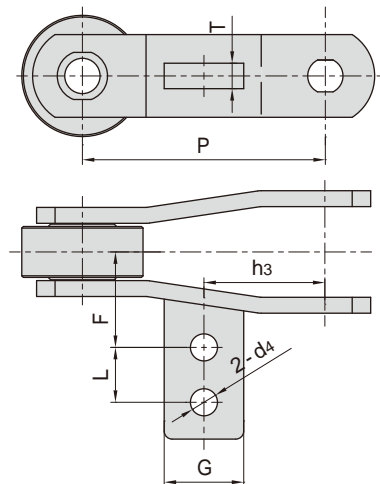
糖机链 Sugar mill chains

带A1附件
With A1 attachment



东华链号 Donghua Chain No.	P	F	G	d4	h3	T
	mm	mm	mm	mm	mm	mm
SM101.6F5 - A1	101.6	70.0	40.0	17.0	42.0	12.0
SM101.6F7 - AS2	101.6	63.6	38.1	13.0	50.0	9.5
SM101.6F10 - A1	101.6	54.0	42.0	16.7	50.8	12.7
P152F77 - AS2F3	152.4	66.7	65.0	17.0	76.2	16.0
P152F148 - AS2	152.4	68.0	-	22.0	74.0	16.0
P152F151 - A1	152.4	67.5	50.8	17.0	76.0	16.0
SM228.6F4 - AS2	228.6	80.0	-	21.0	95.0	20.0
SM228.6F8 - AS2	228.6	83.0	-	21.0	120.0	16.0
SM203.2F7 - A1F1	203.2	81.7	58.0	20.0	101.6	16.0
SM203.2F8 - AS2	203.2	82.0	-	21.0	102.0	16.0

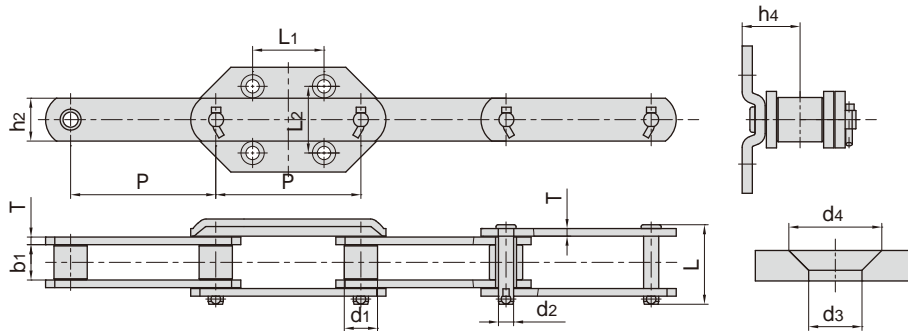
带A2附件
With A2 attachment



东华链号 Donghua Chain No.	P	F	G	d4	h3	L	T
	mm	mm	mm	mm	mm	mm	mm
P152F77 - A2	152.4	60.0	50.0	17.0	76.0	34.5	16.0
P152F151 - A2	152.4	60.0	50.0	17.0	76.0	34.5	16.0
SM152F54 - A2	152.4	60.0	50.0	17.0	76.0	34.5	16.0
SM203.2F8 - AS2F3	203.8	74.5	65.0	21.0	102.0	34.5	15.0
SM203.2F8 - AS2F5	203.8	74.5	65.0	21.0	102.0	50.0	15.0

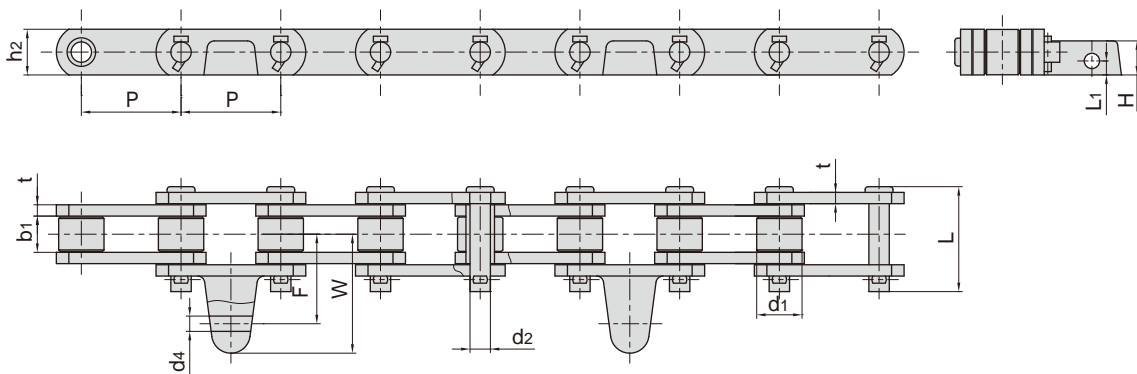
糖机链

Sugar mill chains



东华链号 Donghua Chain No.	节距	滚子直径	内节内宽	销轴直径	销轴长度	链板高度	链板厚度	抗拉强度	每米长重
	Pitch	Roller diameter	Width between inner plates	Pin diameter	Pin length	Plate depth	Plate thickness	Tensile strength	Weight per meter
	P	d1 max	b1	d2 max	L max	h2 max	T max	Q min	q
	mm	mm	mm	mm	mm	mm	mm	kN/lbf	kg/m
P152F169SS-G4	152.4	34.9	37.1	15.9	83.5	44.5	8.0	190/42712	10.34

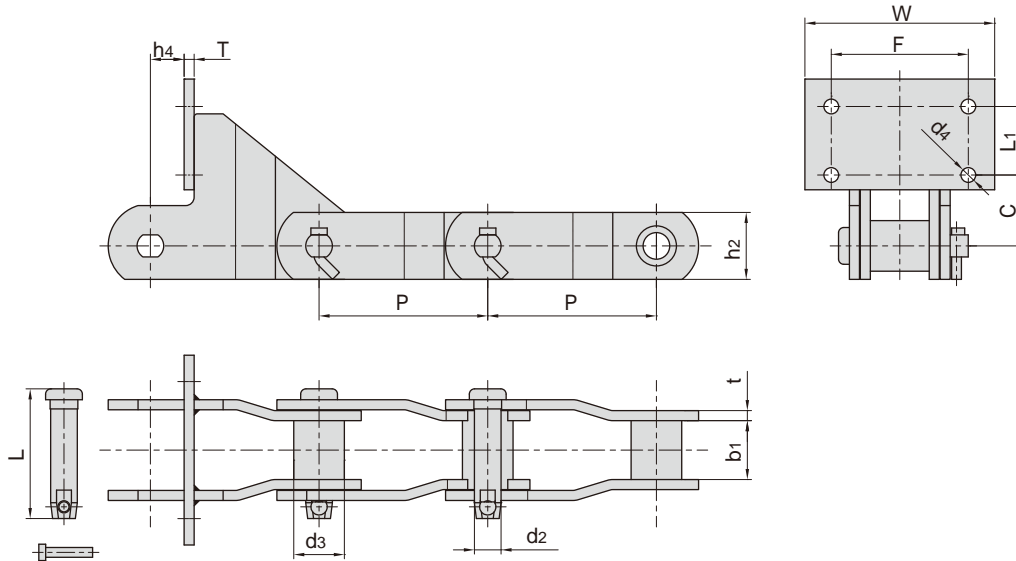
东华链号 Donghua Chain No.	P	L1	L2	h4	d3	d4
	mm	mm	mm	mm	mm	mm
	P152F169SS-G4	152.4	75.0	70.0	46.0	14.0



东华链号 Donghua Chain No.	节距	滚子直径	内节内宽	销轴直径	销轴长度	链板高度	链板厚度	抗拉强度	每米长重
	Pitch	Roller diameter	Width between inner plates	Pin diameter	Pin length	Plate depth	Plate thickness	Tensile strength	Weight per meter
	P	d1 max	b1	d2 max	L max	h2 max	t max	Q min	q
	mm	mm	mm	mm	mm	mm	mm	kN/lbf	kg/m
P69.85F6-G19	69.85	31.75	25.3	14.27	73.5	31.75	8.0	130.0/29224	9.46

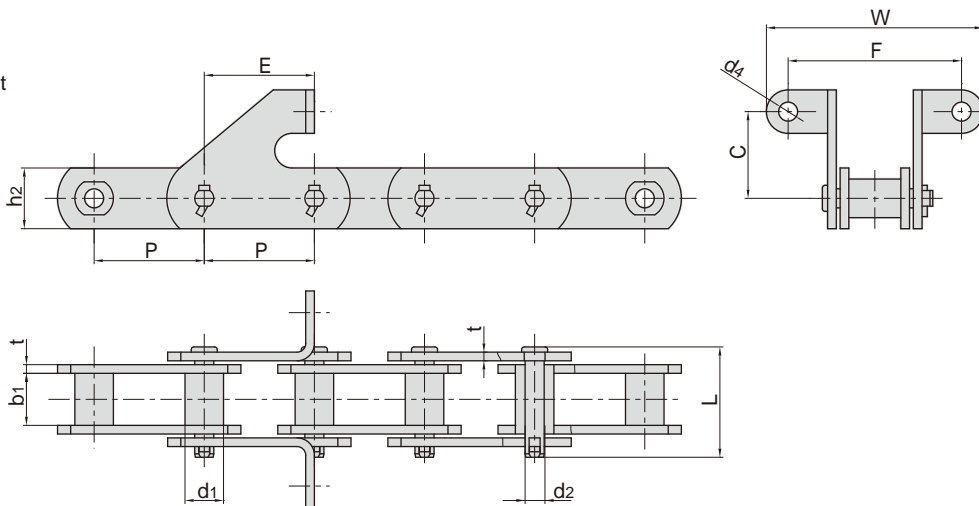
东华链号 Donghua Chain No.	P	F	W	d4	L1	H
	mm	mm	mm	mm	mm	mm
	P69.85F6-G19	69.85	62.27	80.8	11.0	9.8

糖机链 Sugar mill chains



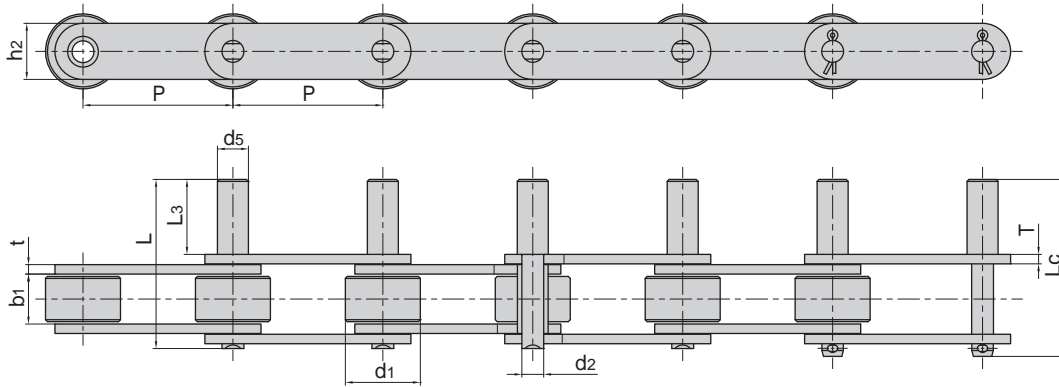
东华链号 Donghua Chain No.	节距	套筒直径	内节内宽	销轴尺寸		链板尺寸		附件尺寸				抗拉强度		
	Pitch	Bush diameter	Width between inner plates	Pin diameter	Pin diameter	Plate dimension	Plate dimension	Attachment dimension				Tensile strength		
	P	d3 max	b1	d2 max	L max	h2	t / T	F	W	h4	d4	C	L1	Q min
	mm	mm	mm	mm	mm	mm	mm	mm	mm	mm	mm	mm	mm	kN/lbf
SM160F4	160.0	48.0	55.7	25.27	123.03	63.5	9.5	130.0	180.0	32.0	14.0	132.3	65.0	400/89920
SM200F1 - PUSHER	200.0	48.0	55.7	25.27	123.03	63.5	9.5	120.0	158.8	76.2	14.0	91.0	50.0	350/78680

带SD附件
With SD attachment

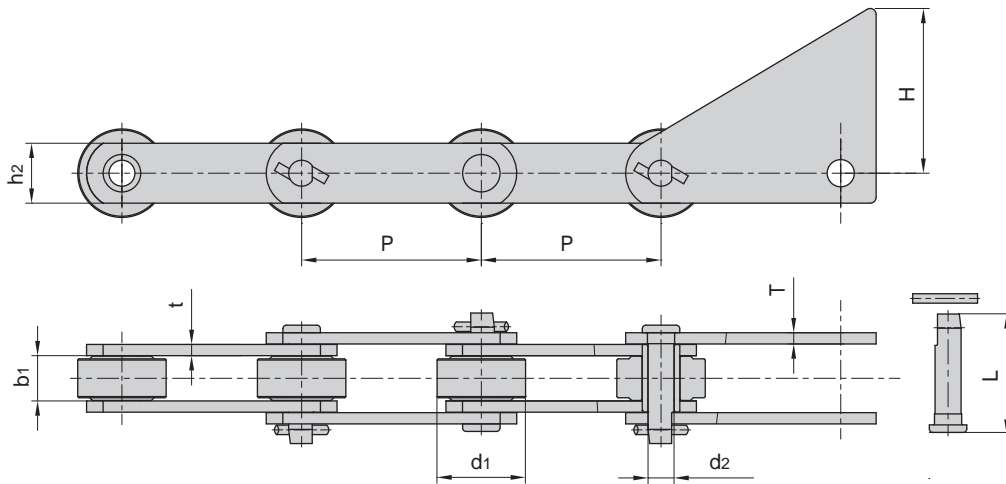


东华链号 Donghua Chain No.	节距	滚子直径	内节内宽	销轴直径	销轴长度	链板高度	链板厚度	附件尺寸				抗拉强度		
	Pitch	Roller diameter	Width between inner plates	Pin diameter	Pin length	Plate depth	Plate thickness	Attachment dimension				Tensile strength		
	P	d1 max	b1	d2 max	L max	h2 max	t max	F	W	d4	C	E	Q min	
	mm	mm	mm	mm	mm	mm	mm	mm	mm	mm	mm	mm	mm	kN/lbf
SM63.5SD	63.5	22.22	30.0	11.0	63.5	35.0	5.0	100.0	125.0	11.0	35.0	63.5	80/17984	
SM76.2SD	72.6	22.22	25.4	11.0	59.0	35.0	5.0	93.0	118.0	11.0	50.0	76.2	100/22480	

糖机链 Sugar mill chains



东华链号 Donghua Chain No.	节距 Pitch	滚子直径 Roller diameter	内节内宽 Width between inner plates	销轴尺寸 Pin diameter					链板尺寸 Plate dimension		抗拉强度 Tensile strength	每米长重 Weight per meter
	P	d1 max	b1	d2 max	d5 max	L max	Lc max	L3	h2	t/T	Q min	q
	mm	mm	mm	mm	mm	mm	mm	mm	mm	mm	kN/lbf	kg/m
P76.2F72-D3	76.2	38.1	25.2	11.1	15.75	86	90.1	38.1	28.5	4.8	58/13038	6.3

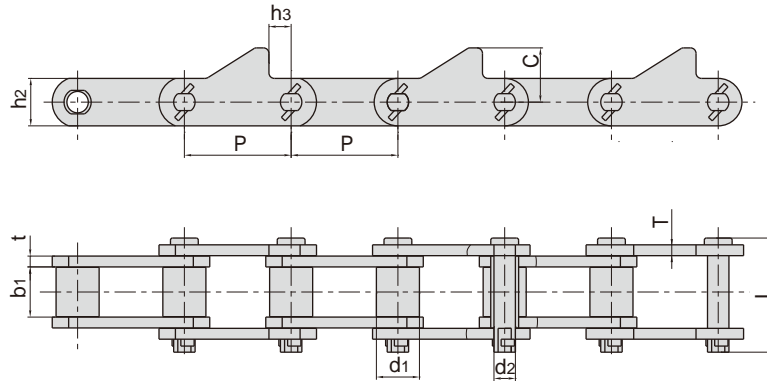


东华链号 Donghua Chain No.	节距 Pitch	滚子直径 Roller diameter	内节内宽 Width between inner plates	销轴尺寸 Pin diameter		链板尺寸 Plate dimension			抗拉强度 Tensile strength
	P	d1 max	b1	d2 max	L max	h2	t/T	H	Q min
	mm	mm	mm	mm	mm	mm	mm	mm	kN/lbf
P100F243	100.0	56.00	30.0	16.00	76.0	45.0	8.00	100.0	240/53952
S102BF7*	101.6	25.40	54.0	15.70	110.5	38.1	9.50	95.3	160/35968
S111F4*	120.9	36.58	66.5	19.05	126.0	50.8	9.70	50.8	214/48107
SM152F11	152.4	75.00	38.4	22.08	100.4	50.8	9.53	139.7	260/58448

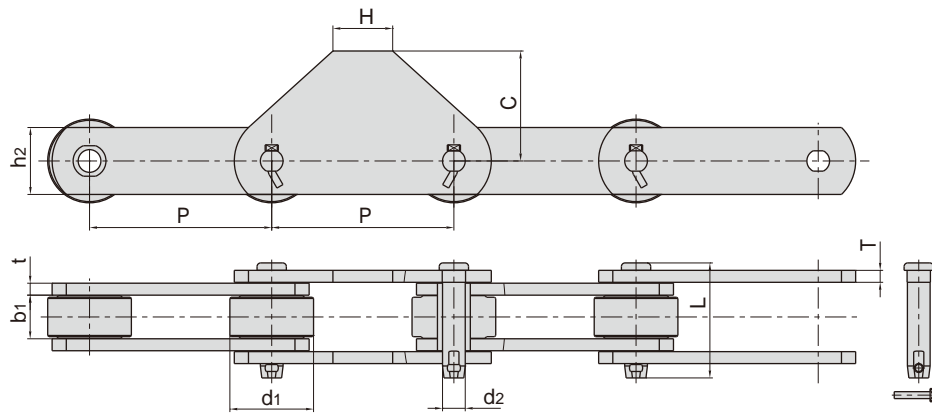
*套筒链：表中滚子直径d1为套筒直径

*Bush chain: d1 in the table indicates the external diameter of the bush.

糖机链 Sugar mill chains

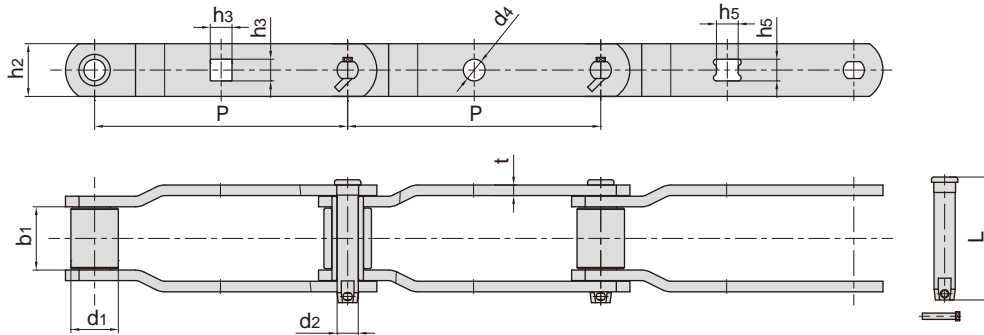


东华链号 Donghua Chain No.	节距 Pitch	滚子直径 Roller diameter	内节内宽 Width between inner plates	销轴尺寸 Pin diamenter		链板尺寸 Plate dimension				抗拉强度 Tensile strength	每米长重 Weight per meter
	P	d1 max	b1	d2 max	L max	h2	t/T	h3	C	Q min	q
	mm	mm	mm	mm	mm	mm	mm	mm	mm	kN/lbf	kg/m
P78.11F25	78.11	32.60	37.0	15.90	89.00	38.0	8.0	11.6	58.0	190/42715	12.2
SM78.75F1	78.75	31.75	37.0	15.88	87.00	38.0	8.0	16.4	41.0	140/31472	10.9

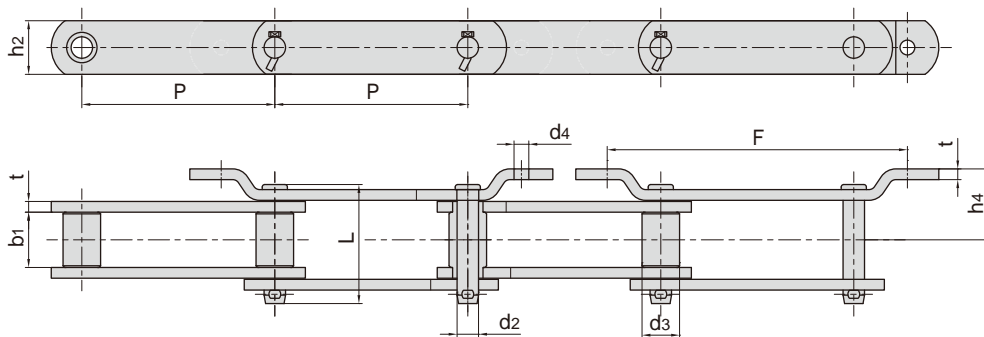


东华链号 Donghua Chain No.	节距 Pitch	滚子直径 Roller diameter	内节内宽 Width between inner plates	销轴尺寸 Pin diamenter		链板尺寸 Plate dimension				抗拉强度 Tensile strength
	P	d1 max	b1	d2 max	L max	h2	t/T	C	H	Q min
	mm	mm	mm	mm	mm	mm	mm	mm	mm	kN/lbf
SM152F59	152.4	70.00	36.5	17.00	96.2	56.0	10.0	92	50.0	380/85424

糖机链 Sugar mill chains



东华链号 Donghua Chain No.	节距 Pitch	滚子直径 Roller diameter	内节内宽 Width between inner plates	销轴尺寸 Pin diameter		链板尺寸 Plate dimension					抗拉强度 Tensile strength	每米长重 Weight per meter
	P	d1 max	b1 min	d2 max	L max	h2	t	h3	h5	d4	Q min	q
	mm	mm	mm	mm	mm	mm	mm	mm	mm	mm	kN/lbf	kg/m
SM228.6F14	228.6	44.45	49.30	22.23	190.80	63.5	12.70	-	26.1	-	454/102059	18.50
SM304.8	304.8	82.55	93.70	40.87	198.05	101.6	19.05	-	-	37.69	1500/33720	51.96
SM304.8F1	304.8	82.30	93.70	47.37	208.76	114.3	19.05	32.54	-	-	880/197824	61.41
SM304.8F3	304.8	44.45	56.90	22.10	117.70	63.5	9.65	23.11	-	-	450/101160	13.70
SM304.8F4	304.8	57.15	76.20	25.48	148.05	63.5	12.70	26.16	-	-	520/116896	19.76
SM304.8F5	304.8	63.50	69.85	31.75	162.54	88.9	15.90	32.54	-	-	1100/24728	33.48
SM304.8F11	304.8	88.90	105.00	38.10	195.60	101.6	15.70	-	32.5	-	1230/27650	49.62
SM304.8F13	304.8	57.15	76.20	25.30	148.20	63.5	12.70	-	26.0	-	520/116896	19.90



东华链号 Donghua Chain No.	节距 Pitch	套筒直径 Bush diameter	内节内宽 Width between inner plates	销轴尺寸 Pin diameter		链板尺寸 Plate dimension					抗拉强度 Tensile strength	每米长重 Weight per meter
	P	d3 max	b1	d2 max	L max	h2	t	h4	F	d4	Q min	q
	mm	mm	mm	mm	mm	mm	mm	mm	mm	mm	kN/lbf	kg/m
SM228.6F11	228.6	44.45	63.50	25.40	141.00	63.5	12.70	84	355.6	17.5	543/122066	21.83